



PARTS CATALOGUE

WR250FV'06 (5UMD) SOUTH AFRICA

WR250FV/WR250F
PARTS CATALOGUE
©2005 by Yamaha Motor Co., Ltd.
1st edition, August 2005
All rights reserved.
Any reprinting or unauthorized use
without the written permission of
Yamaha Motor Co., Ltd.
is expressly prohibited.
Printed in Japan.

A3

WR250FV/WR250F



A4

FOREWORD

This Parts Catalogue is related to the parts for the model(s) on the cover page. When you are ordering replacement parts, please refer to this Parts Catalogue and quote both part numbers and part names correctly.

1. Modifications or additions which have been made after the issue of the Parts Catalogue will be announced in the Parts News.

It is advisable that you make the necessary corrections to the Parts Catalogue according to the Parts News.

2. Abbreviations

The following abbreviations are used in this Parts Catalogue.

“UR” Use specified parts number.

“UN” Use as many as needed.

“AP” Alternate Parts

“LM” Locally Made (Parts need to be ordered locally)

“F#” Frame No. (Applicable machine No.)

“O/S” Over Size

3. The number of components for assembly

- Parts, which are to be supplied in an assembly, are listed with a dot (.) in front of the part name as shown below.
- The numeral appearing to the right of each component part indicates the quantity of parts for each assembly unit.

PART NO.	DESCRIPTION	Q'TY	REMARKS
2F5-83310-60	FRONT FLASHER LIGHT ASSY	2	
115-83311-60	.BULB (6V-18W)	1	

4. Applicable colours of graphics are represented in the “REMARKS” as shown below.

PART NO.	DESCRIPTION	Q'TY	REMARKS
2N4-24110-00-X5	FUEL TANK COMP.	2	MXR
3J1-24240-10	.GRAPHIC, FUEL TANK	1	FOR MXR

5. Note that the illustrations for reference in finding parts numbers are not to be used for assembling. When assembling, please use the applicable service manual.

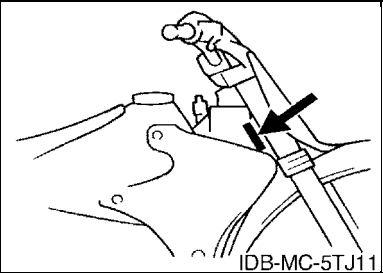
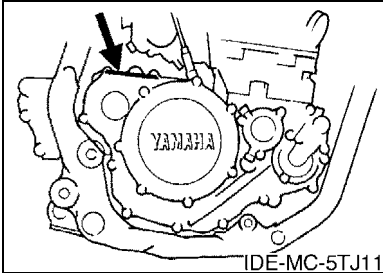
6. The asterisk (*) before a reference number indicates modified items after the first edition.

FOREWORD

7. Applicable Serial No.

Engine Serial No.

Frame Serial No.



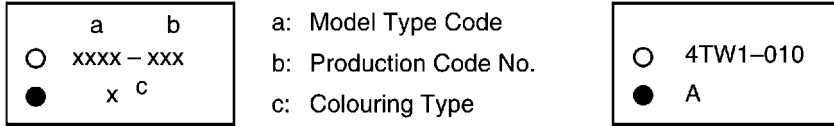
8. Applicable Colour Code (The (*) mark shows Model colour.)

Abbreviation	Colour Name	Colour Code
DPBSE(*)	DEEP PURPLISH BLUE SOLID E	0583

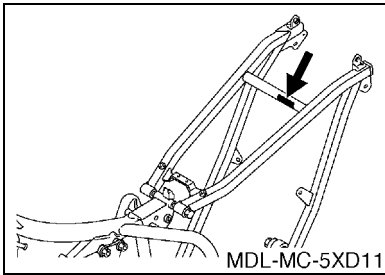
MODEL LABEL

(1) A label called “Model Label” is affixed in the location as indicated in (3) below. When using this parts catalogue, please be sure to cross-reference the “model code – production code No.” in the catalogue with the “model code – production code No.” indicated on the Model Label affixed onto the product concerned.

(2) “Model Label” Indication



(3) Model Label Affixing Location



(4) Colouring Information

Model Code	Colouring Type Code	Colour Code	Colour Name	Abbreviation
5UMB	A	0583	DEEP PURPLISH BLUE SOLID E	DPBSE
5UMC	A	0583	DEEP PURPLISH BLUE SOLID E	DPBSE
5UMD	A	0583	DEEP PURPLISH BLUE SOLID E	DPBSE

(5) Model Code – Production Code Number of Model Listed in This Parts Catalogue

Model Code	Production Code No.	Country (destination)	Model Code	Production Code No.	Country (destination)
5UMB	010	U.S.A.			
5UMC	010	EUROPE			
	020	UNITED KINGDOM			
5UMD	010	AUSTRALIA			
		NEW ZEALAND			
	020	CANADA			
	030	SOUTH AFRICA			

CONTENTS

ENGINE

CYLINDER	B2
CRANKSHAFT & PISTON	B4
VALVE	B5
CAMSHAFT & CHAIN	B7
WATER PUMP	B8
RADIATOR & HOSE	B9
OIL PUMP	B10
OIL CLEANER	B11
INTAKE	B12
CARBURETOR	B14
AIR INDUCTION SYSTEM	C5
EXHAUST	C6
CRANKCASE	C7
CRANKCASE COVER 1	C8
STARTER	C10
STARTER CLUTCH	C11
CLUTCH	C12
TRANSMISSION	C14
SHIFT CAM & FORK	D2
SHIFT SHAFT	D3

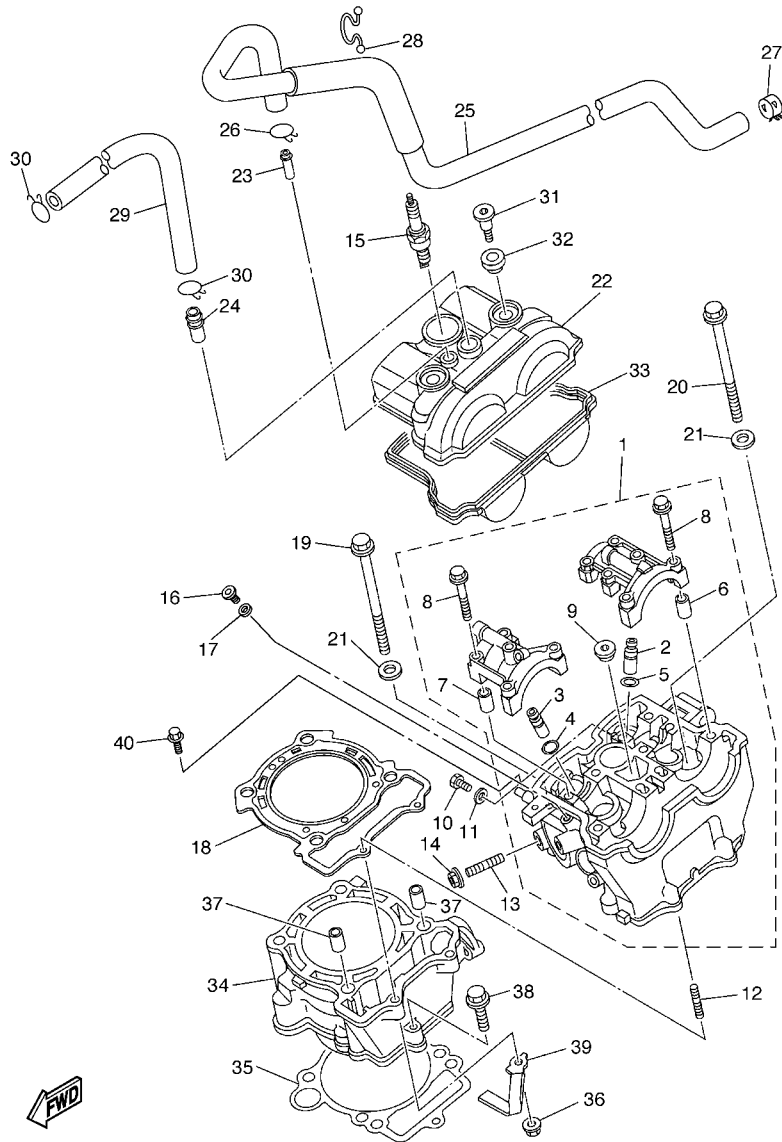
CHASSIS

FRAME	D4
FENDER	D6
SIDE COVER	D7
REAR ARM	D8
REAR SUSPENSION	D10
STEERING	D12
FRONT FORK	D13
FUEL TANK	E2
SEAT	E4
FRONT WHEEL	E5
FRONT BRAKE CALIPER	E6
REAR WHEEL	E7
REAR BRAKE CALIPER	E9
STEERING HANDLE & CABLE	E10
FRONT MASTER CYLINDER	E11
STAND & FOOTREST	E12
REAR MASTER CYLINDER	E14
GENERATOR	E15
STARTING MOTOR	F2

METER	F3
HEADLIGHT	F4
TAILLIGHT	F5
HANDLE SWITCH & LEVER	F6
ELECTRICAL 1	F7
ALTERNATE FOR CHASSIS	F9

INDEX

NUMERICAL INDEX	M1
-----------------------	----

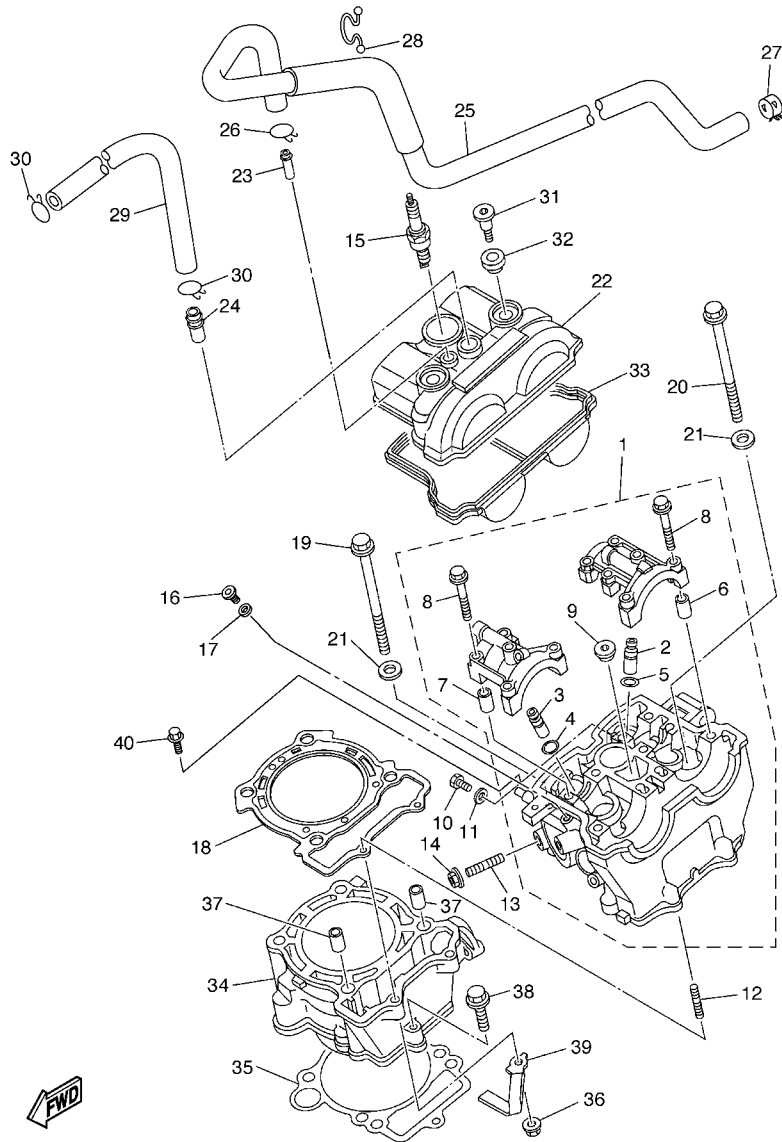


5UMB100-E010



FIG. 1 CYLINDER

REF. NO.	PART NO.	DESCRIPTION	5UMB	5UMC	5UMD	REMARKS
1	5UM-11101-00	CYLINDER HEAD ASSY	1	1	1	
2	5NL-11133-10	.GUIDE, VALVE 1	3	3	3	
3	5NL-11134-10	.GUIDE, VALVE 2	2	2	2	
4	93440-10153	.CIRCLIP	2	2	2	
5	93440-07149	.CIRCLIP	3	3	3	
6	91808-16023	.PIN, DOWEL	2	2	2	
7	91808-16023	.PIN, DOWEL	2	2	2	
8	90105-06027	.BOLT, FLANGE	10	10	10	
9	90340-12112	.PLUG, STRAIGHT SCREW	1	1	1	
10	95022-06010	BOLT, FLANGE	1	1	1	
11	90430-06014	GASKET	1	1	1	
12	90116-06541	BOLT, STUD	2	2	2	
13	95612-08620	BOLT, STUD	1	1	1	
14	95702-08500	NUT, FLANGE	1	1	1	
15	94701-00411	PLUG, SPARK (NGK R CR8E)	1	1	1	STD
	94701-00410	PLUG, SPARK (NGK R CR9E)	1	1	1	AP
16	90340-12112	PLUG, STRAIGHT SCREW	1	1	1	
17	90201-12790	WASHER, PLATE	1	1	1	
18	5NL-11181-00	GASKET, CYLINDER HEAD 1	1	1	1	
19	90105-09004	BOLT, FLANGE	2	2	2	
20	90105-09002	BOLT, FLANGE	2	2	2	
21	90201-096J9	WASHER, PLATE	4	4	4	
22	5NL-11191-10	COVER, CYLINDER HEAD 1	1	1	1	
23	5BE-11167-00	PIPE, BREATHER 2	1	1	1	
24	371-11167-01	PIPE, BREATHER 2	1	1	1	
25	5TJ-11166-00	PIPE, BREATHER 1	1	1	1	
26	90467-14015	CLIP	1	1	1	



5UMB100-E010

FIG. 1 CYLINDER

REF. NO.	PART NO.	DESCRIPTION	5UMB	5UMC	5UMD	REMARKS
27	90468-08104	CLIP	1	1	1	
28	90464-25267	CLAMP	1	1	1	
29	90445-112K0	HOSE (L285)	1	1	1	
30	90467-11106	CLIP	2	2	2	
31	90109-066F0	BOLT	2	2	2	
32	4KG-1111G-00	RUBBER, MOUNT 1	2	2	2	
33	5NL-11193-00	GASKET, HEAD COVER 1	1	1	1	
34	5XC-11311-01	CYLINDER 1	1	1	1	
35	5NL-11351-00	GASKET, CYLINDER	1	1	1	
36	95702-06500	NUT, FLANGE	2	2	2	
37	93612-16254	PIN, DOWEL	2	2	2	
38	95022-06035	BOLT, FLANGE	1	1	1	
39	5UM-11387-00	CLAMP, HOSE 1	1	1	1	
40	95827-06014	BOLT, FLANGE	1	1	1	

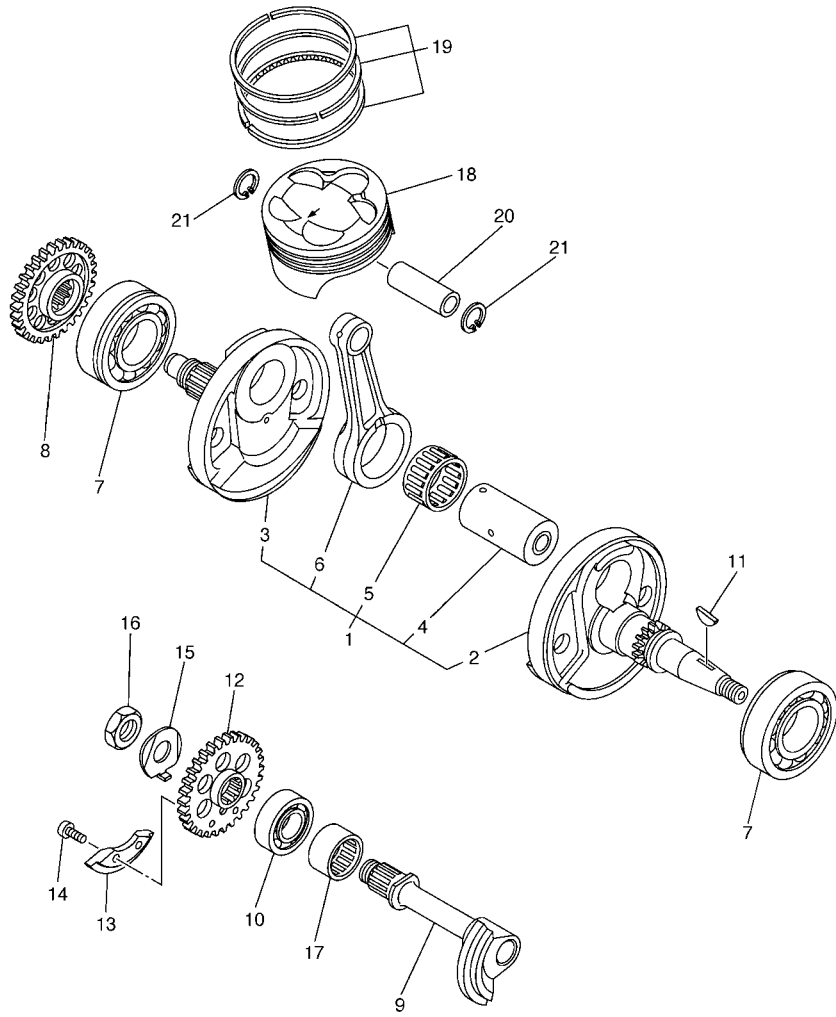
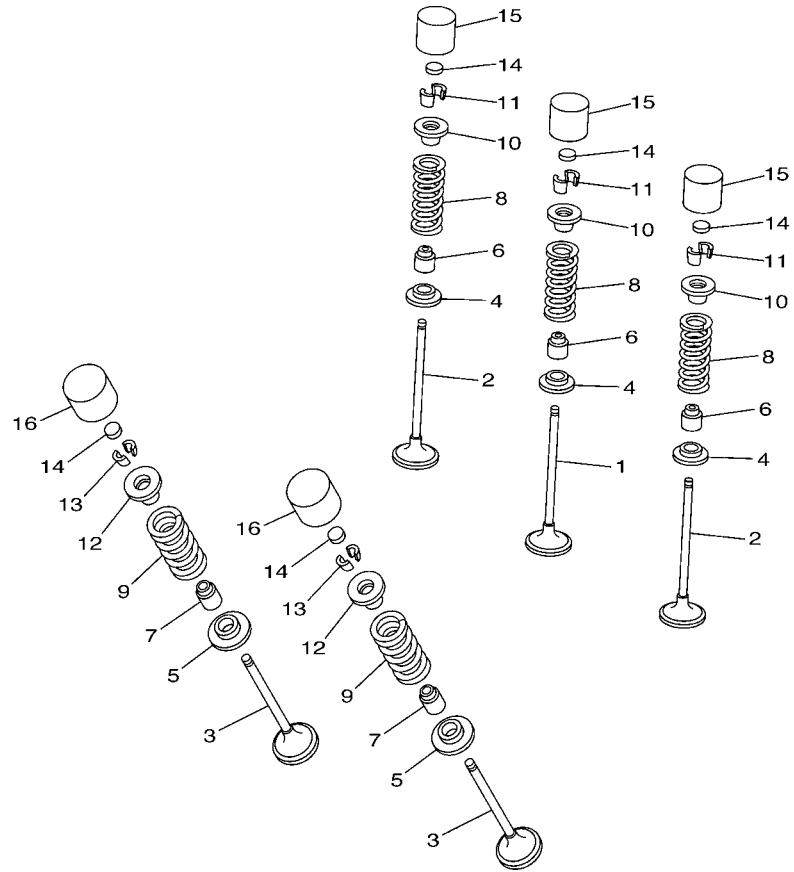


FIG. 2 CRANKSHAFT & PISTON

REF. NO.	PART NO.	DESCRIPTION	SUMB	SUMC	SUMD	REMARKS
1	5UM-11400-20	CRANKSHAFT ASSY	1	1	1	
2	5UM-11412-10	.CRANK 1	1	1	1	
3	5UL-11422-00	.CRANK 2	1	1	1	
4	5XC-11681-00	.PIN, CRANK 1	1	1	1	
5	93310-63238	.BEARING	1	1	1	
6	5XC-11651-00	.ROD, CONNECTING	1	1	1	
7	93306-20648	BEARING	2	2	2	
8	5NL-11536-00	GEAR, DRIVE	1	1	1	
9	5NL-11455-00	SHAFT 1	1	1	1	
10	93306-20335	BEARING	1	1	1	
11	90280-03006	KEY, WOODRUFF	1	1	1	
12	5NL-11531-00	GEAR, BALANCE WEIGHT	1	1	1	
13	5NL-11454-00	WEIGHT 1	1	1	1	
14	90149-06250	SCREW	2	2	2	
15	90215-14204	WASHER, LOCK	1	1	1	
16	90170-14171	NUT	1	1	1	
17	93311-32261	BEARING	1	1	1	
18	5NL-11631-20	PISTON (STD)	1	1	1	
19	5NL-11603-00	PISTON RING SET (STD)	1	1	1	
20	5NL-11633-00	PIN, PISTON	1	1	1	
21	93420-16086	CIRCLIP	2	2	2	



5UM5100-C020



5NL1100-1030

FIG. 3 VALVE

REF. NO.	PART NO.	DESCRIPTION	SUMB	SUMC	SUMD	REMARKS
1	5NL-12111-10	VALVE, INTAKE	1	1	1	
2	5NL-12112-10	VALVE, INTAKE 2	2	2	2	
3	5NL-12121-10	VALVE, EXHAUST	2	2	2	
4	5NL-12116-00	SEAT, VALVE SPRING	3	3	3	
5	3GM-12126-00	SEAT, VALVE SPRING 2	2	2	2	
6	4TV-12119-00	SEAL, VALVE STEM	3	3	3	
7	4SV-12119-00	SEAL, VALVE STEM	2	2	2	
8	5NL-12113-00	SPRING, VALVE INNER	3	3	3	
9	5NL-12114-00	SPRING, VALVE OUTER	2	2	2	
10	1HX-12117-00	RETAINER, VALVE SPRING	3	3	3	
11	1HX-12118-00	COTTER, VALVE	6	6	6	
12	1WG-12117-00	RETAINER, VALVE SPRING	2	2	2	
13	1WG-12118-00	COTTER, VALVE	4	4	4	
14	1HX-12168-00	PAD, ADJUSTING 2 (1.20)	5	5	5	UR
	1HX-12168-20	PAD, ADJUSTING 2 (1.25)	5	5	5	UR
	1HX-12168-40	PAD, ADJUSTING 2 (1.30)	5	5	5	UR
	1HX-12168-60	PAD, ADJUSTING 2 (1.35)	5	5	5	UR
	1HX-12168-80	PAD, ADJUSTING 2 (1.40)	5	5	5	UR
	1HX-12168-A0	PAD, ADJUSTING 2 (1.45)	5	5	5	UR
	1HX-12168-F0	PAD, ADJUSTING 2 (1.50)	5	5	5	UR
	1HX-12168-H1	PAD, ADJUSTING 2 (1.55)	5	5	5	UR
	1HX-12168-K1	PAD, ADJUSTING 2 (1.60)	5	5	5	UR
	1HX-12168-M1	PAD, ADJUSTING 2 (1.65)	5	5	5	UR
	1HX-12168-R1	PAD, ADJUSTING 2 (1.70)	5	5	5	UR
	1HX-12168-U1	PAD, ADJUSTING 2 (1.75)	5	5	5	UR
	1HX-12168-W1	PAD, ADJUSTING 2 (1.80)	5	5	5	UR
	1HX-12168-Y1	PAD, ADJUSTING 2 (1.85)	5	5	5	UR

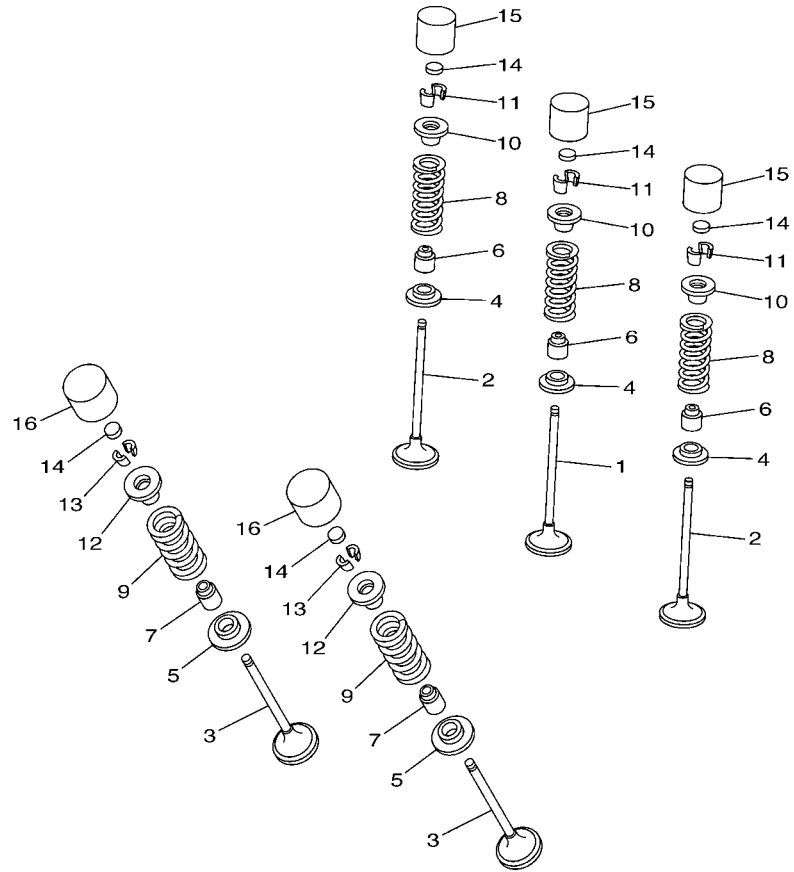


FIG. 3 VALVE

REF. NO.	PART NO.	DESCRIPTION	SUMB	SUMC	SUMD	REMARKS
14	1HX-12169-11	PAD, ADJUSTING 2 (1.90)	5	5	5	UR
	1HX-12169-31	PAD, ADJUSTING 2 (1.95)	5	5	5	UR
	1HX-12169-50	PAD, ADJUSTING 2 (2.00)	5	5	5	UR
	1HX-12169-70	PAD, ADJUSTING 2 (2.05)	5	5	5	UR
	1HX-12169-90	PAD, ADJUSTING 2 (2.10)	5	5	5	UR
	1HX-12169-E0	PAD, ADJUSTING 2 (2.15)	5	5	5	UR
	1HX-12169-G0	PAD, ADJUSTING 2 (2.20)	5	5	5	UR
	1HX-12169-J0	PAD, ADJUSTING 2 (2.25)	5	5	5	UR
	1HX-12169-L0	PAD, ADJUSTING 2 (2.30)	5	5	5	UR
	1HX-12169-N0	PAD, ADJUSTING 2 (2.35)	5	5	5	UR
	1HX-12169-T0	PAD, ADJUSTING 2 (2.40)	5	5	5	UR
15	3LN-12153-10	LIFTER, VALVE	3	3	3	YELLOW
16	3FV-12153-10	LIFTER, VALVE	2	2	2	YELLOW



5NL1100-1030

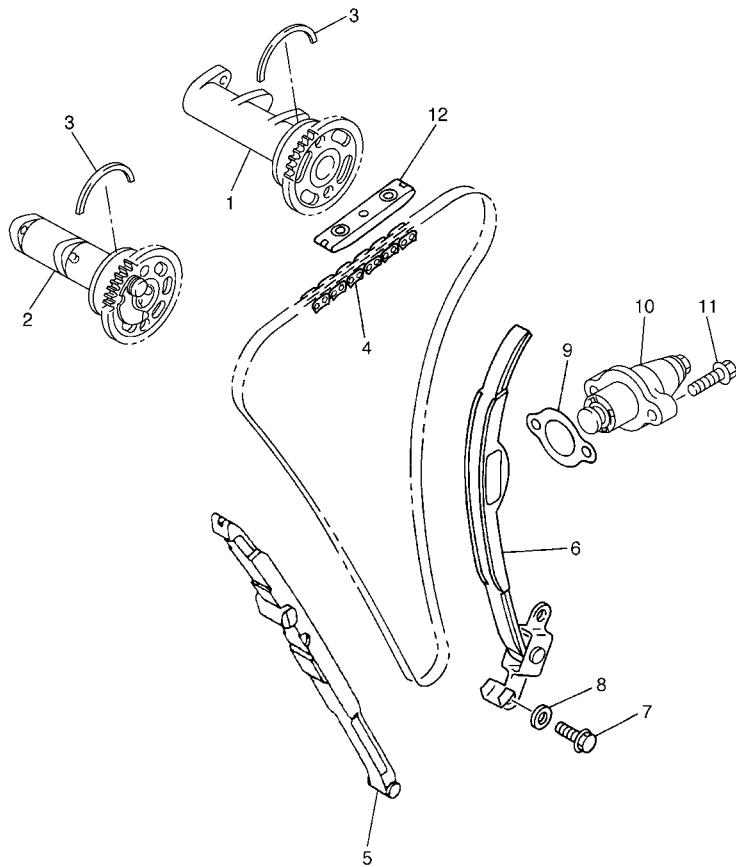
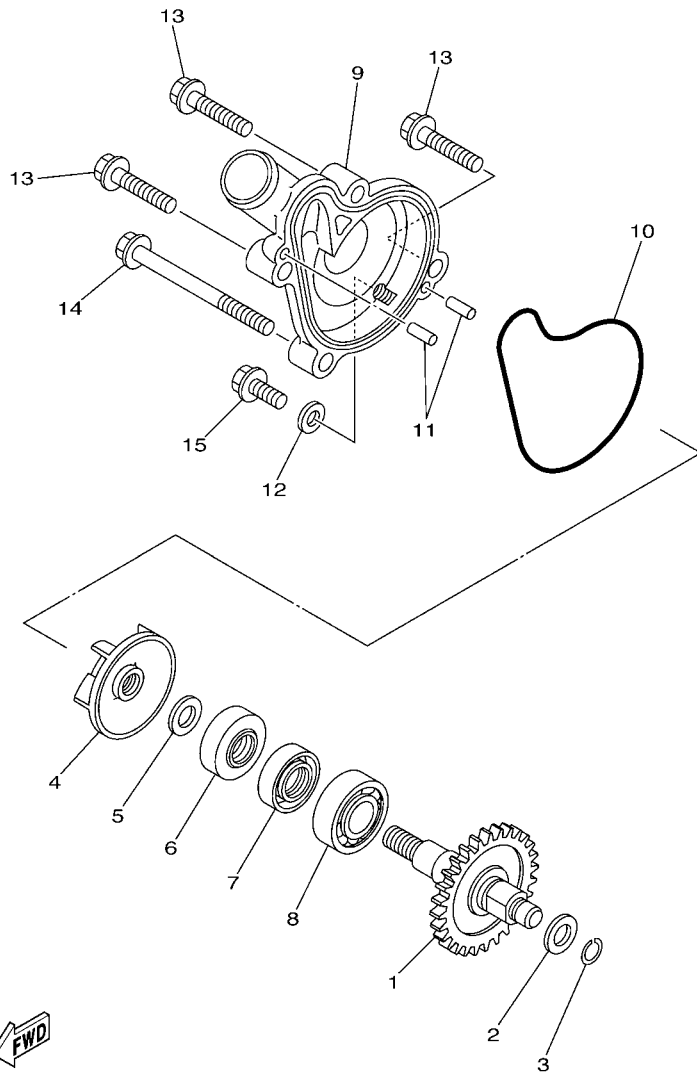


FIG. 4 CAMSHAFT & CHAIN

REF. NO.	PART NO.	DESCRIPTION	5UMB	5UMC	5UMD	REMARKS
1	5UL-12170-10	CAMSHAFT ASSY 1	1	1	1	
2	5UM-12180-10	CAMSHAFT ASSY 2	1	1	1	
3	93440-41178	CIRCLIP	2	2	2	
4	94591-53114	CHAIN	1	1	1	
5	5NL-12251-10	DAMPER, CHAIN 1	1	1	1	
6	5NL-12252-00	DAMPER, CHAIN 2	1	1	1	
7	97027-06016	BOLT	2	2	2	
8	92907-06600	WASHER, PLATE	2	2	2	
9	4FM-12213-00	GASKET, TENSIONER CASE	1	1	1	
10	5TA-12210-00	TENSIONER ASSY, CAM CHAIN	1	1	1	
11	95022-06025	BOLT, FLANGE	2	2	2	
12	5BE-12241-00	GUIDE, STOPPER 2	1	1	1	



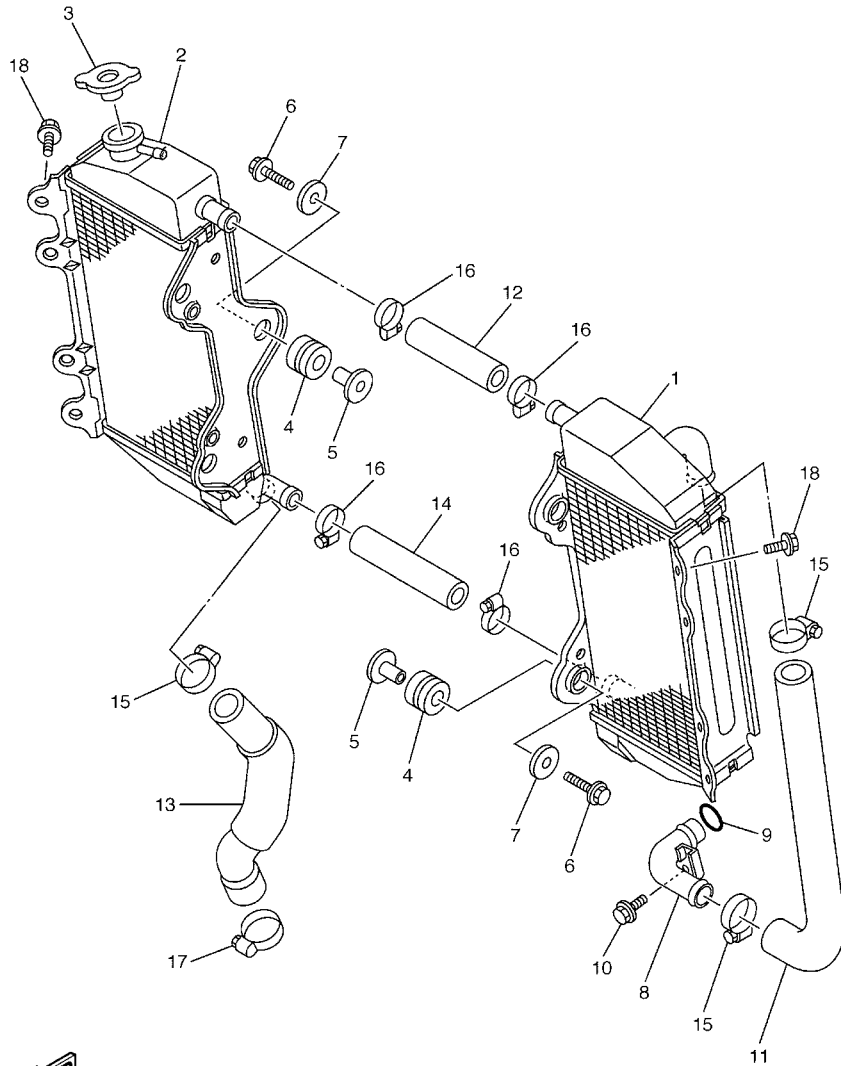
5UMB100-E040



5NL1100-1050

FIG. 5 WATER PUMP

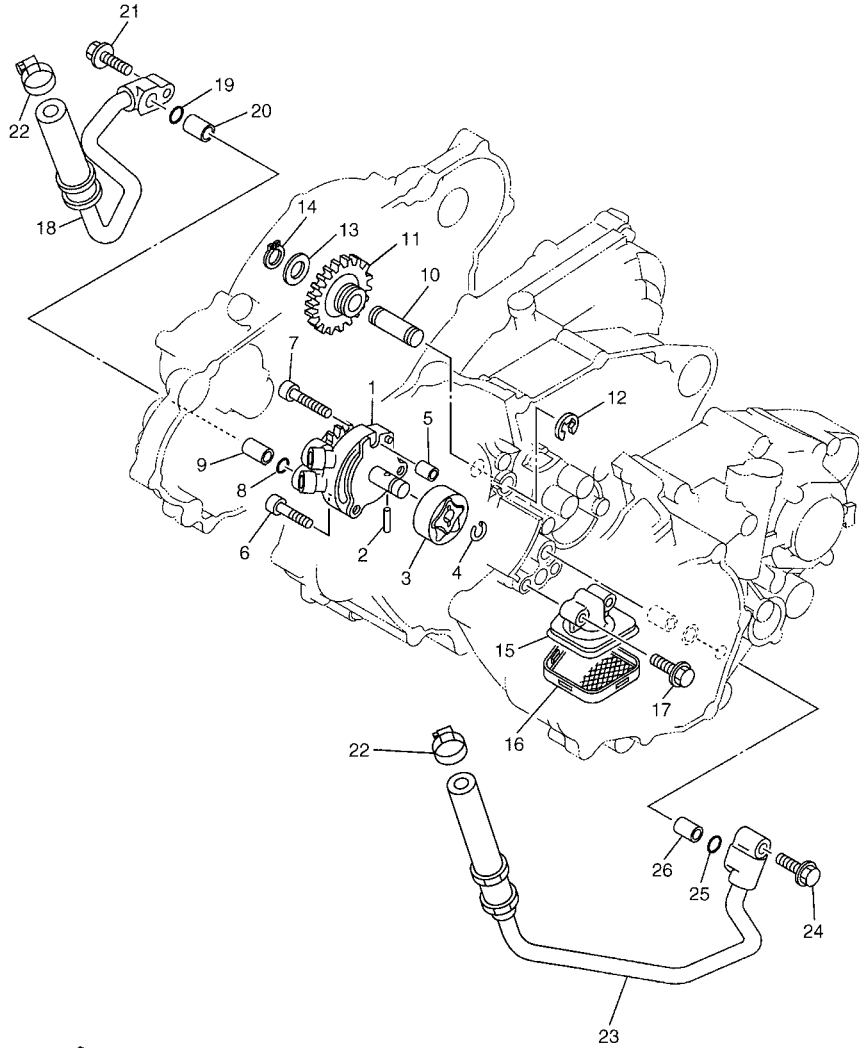
REF. NO.	PART NO.	DESCRIPTION	SUMB	SUMC	SUMD	REMARKS
1	5XC-12459-00	GEAR, IMPELLER SHAFT	1	1	1	
2	90201-08512	WASHER, PLATE	1	1	1	
3	93440-07182	CIRCLIP	1	1	1	
4	5DH-12451-00	IMPELLER, WATER PUMP	1	1	1	
5	90201-08512	WASHER, PLATE	1	1	1	
6	93109-11073	OIL SEAL	1	1	1	
7	93102-12106	OIL SEAL (SD 12-22-5 HS)	1	1	1	
8	93306-00105	BEARING	1	1	1	
9	5NL-12422-10	COVER, HOUSING	1	1	1	
10	5NL-12439-00	O-RING	1	1	1	
11	93604-10011	PIN, DOWEL	2	2	2	
12	90430-06014	GASKET	1	1	1	
13	95022-06025	BOLT, FLANGE	3	3	3	
14	95022-06065	BOLT, FLANGE	1	1	1	
15	95022-06012	BOLT, FLANGE	1	1	1	



5UM1100-B060

FIG. 6 RADIATOR & HOSE

REF. NO.	PART NO.	DESCRIPTION	SUMB	SUMC	SUMD	REMARKS
1	5NL-1240A-10	RADIATOR ASSY	1	1	1	
2	5NL-12461-10	RADIATOR ASSY	1	1	1	
3	22W-12462-00	CAP, RADIATOR	1	1	1	
4	90480-15528	GROMMET	6	6	6	
5	90387-06065	COLLAR	6	6	6	
6	95027-06025	BOLT, FLANGE	6	6	6	
7	90201-06571	WASHER, PLATE	6	6	6	
8	5NL-12481-10	PIPE 1	1	1	1	
9	93210-15414	O-RING	1	1	1	
10	91312-06012	BOLT	1	1	1	
11	5SG-12576-00	HOSE 1	1	1	1	
12	5SG-12577-00	HOSE 2	1	1	1	
13	5SG-12578-00	HOSE 3	1	1	1	
14	5SG-12579-00	HOSE 4	1	1	1	
15	90450-25001	HOSE CLAMP ASSY	3	3	3	
16	90450-22001	HOSE CLAMP ASSY	4	4	4	
17	90450-32003	HOSE CLAMP ASSY	1	1	1	
18	95822-06010	BOLT, FLANGE	2	2	2	



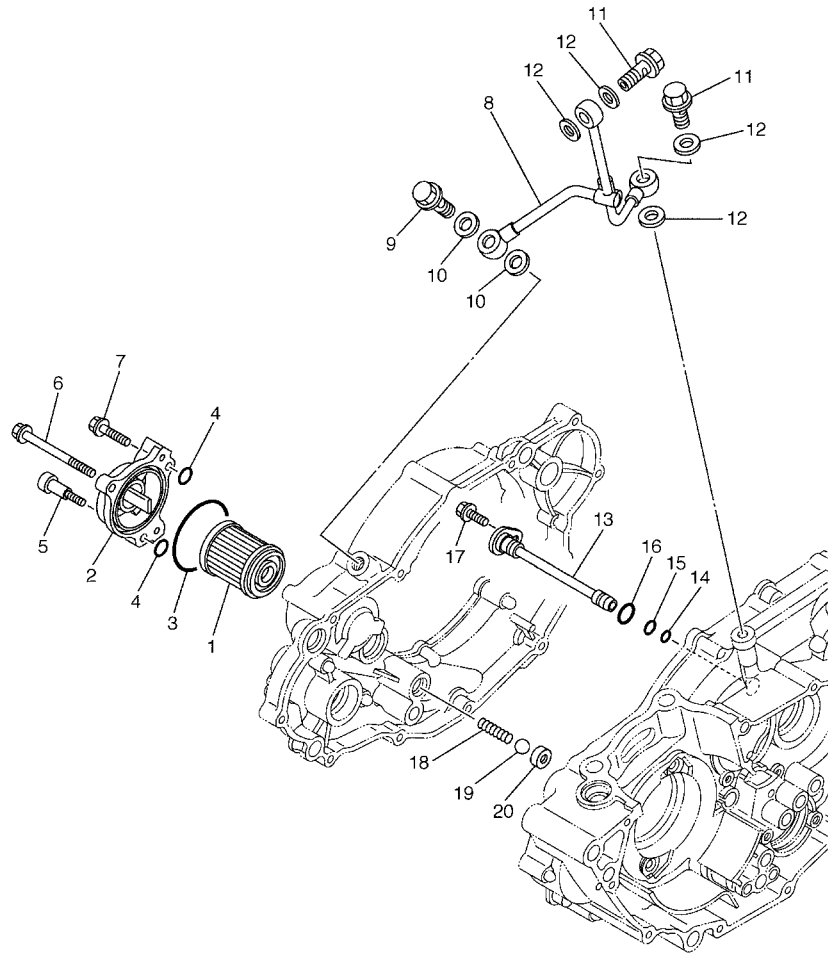
5UL1100-B070

FIG. 7 OIL PUMP

REF. NO.	PART NO.	DESCRIPTION	SUMB	SUMC	SUMD	REMARKS
1	5SG-13300-00	OIL PUMP ASSY	1	1	1	
2	93603-16219	PIN, DOWEL	1	1	1	
3	5NL-13320-00	ROTOR ASSY 2	1	1	1	
4	93440-10153	CIRCLIP	1	1	1	
5	99530-08012	PIN, DOWEL	1	1	1	
6	91312-06025	BOLT	2	2	2	
7	91317-06030	BOLT	1	1	1	
8	93210-10197	O-RING	1	1	1	
9	99530-10114	PIN, DOWEL	1	1	1	
10	5BE-13342-00	SHAFT, IDLE GEAR	1	1	1	
11	5NL-13341-00	GEAR, OIL PUMP IDLE	1	1	1	
12	99001-08600	CIRCLIP	1	1	1	
13	90201-12166	WASHER, PLATE	1	1	1	
14	99009-12400	CIRCLIP	1	1	1	
15	5NL-13412-00	HOUSING, STRAINER	1	1	1	
16	5NL-13411-00	STRAINER, OIL	1	1	1	
17	95022-06025	BOLT, FLANGE	2	2	2	
18	5XC-13464-00	HOSE, OIL 1	1	1	1	
19	93210-10197	O-RING	1	1	1	
20	99530-10114	PIN, DOWEL	1	1	1	
21	95022-06025	BOLT, FLANGE	1	1	1	
22	90450-22001	HOSE CLAMP ASSY	2	2	2	
23	5XC-13465-00	HOSE, OIL 2	1	1	1	
24	95022-06025	BOLT, FLANGE	1	1	1	
25	93210-10197	O-RING	1	1	1	
26	99530-10114	PIN, DOWEL	1	1	1	

B10

FIG. 8 OIL CLEANER

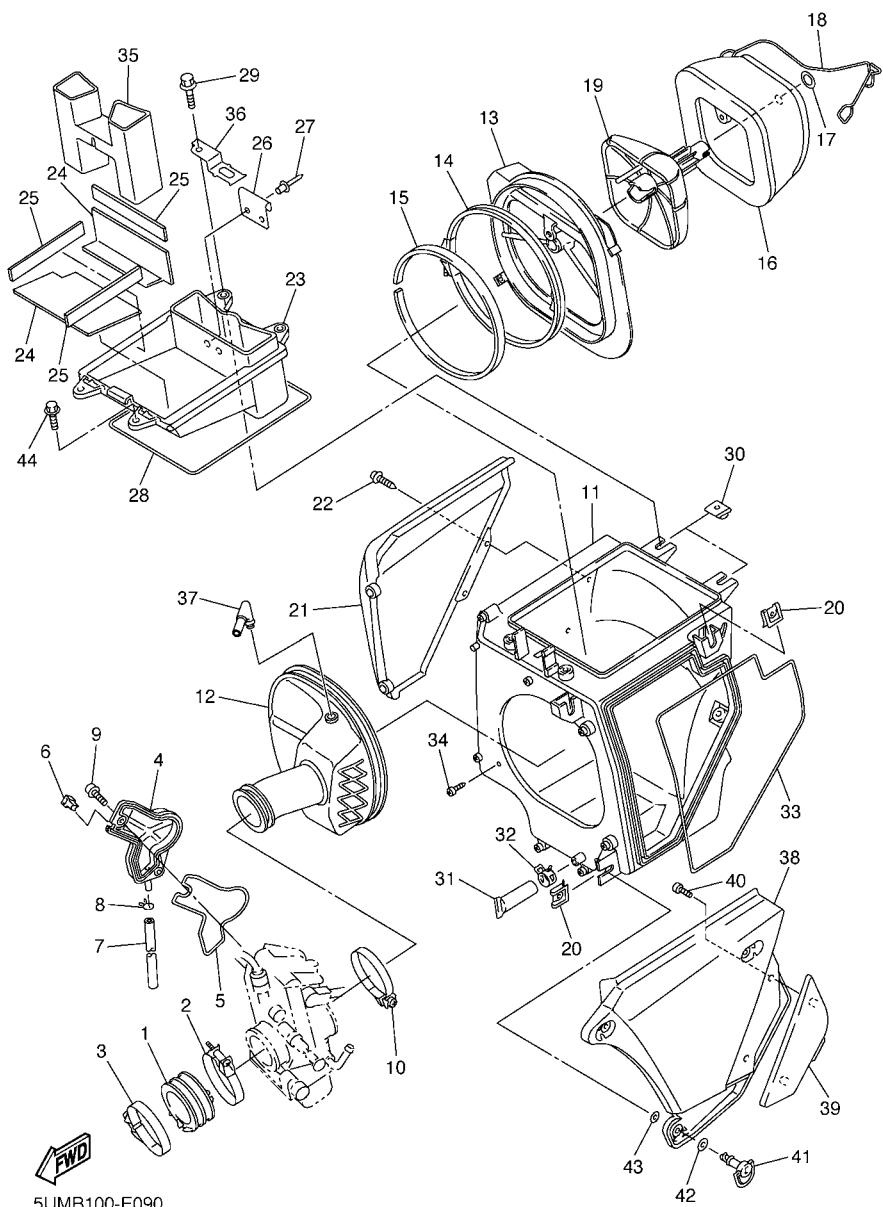


REF. NO.	PART NO.	DESCRIPTION	SUMB	SUMC	SUMD	REMARKS
1	5TA-13440-00	ELEMENT ASSY, OIL CLEANER	1	1	1	
2	5BE-13447-10	COVER, OIL ELEMENT	1	1	1	
3	93210-47675	O-RING	1	1	1	
4	93210-07135	O-RING	3	3	3	
5	90110-06228	BOLT, HEXAGON SOCKET HEAD	1	1	1	
6	91312-06065	BOLT	1	1	1	
7	91312-06025	BOLT	1	1	1	
8	5NL-13161-10	PIPE, DELIVERY 1	1	1	1	
9	90401-10015	BOLT, UNION	1	1	1	
10	90430-10188	GASKET	2	2	2	
11	90401-08006	BOLT, UNION	2	2	2	
12	90430-08119	GASKET	4	4	4	
13	5NL-13171-00	PIPE, DELIVERY 2	1	1	1	
14	93210-07003	O-RING	1	1	1	
15	93210-09008	O-RING	1	1	1	
16	93210-12759	O-RING	1	1	1	
17	95027-06012	BOLT, FLANGE	1	1	1	
18	90501-043E0	SPRING, COMPRESSION	1	1	1	
19	93503-08007	BALL	1	1	1	
20	583-13113-00	SEAT, CHECK BALL	1	1	1	


5XC1100-C080

FIG. 9 INTAKE

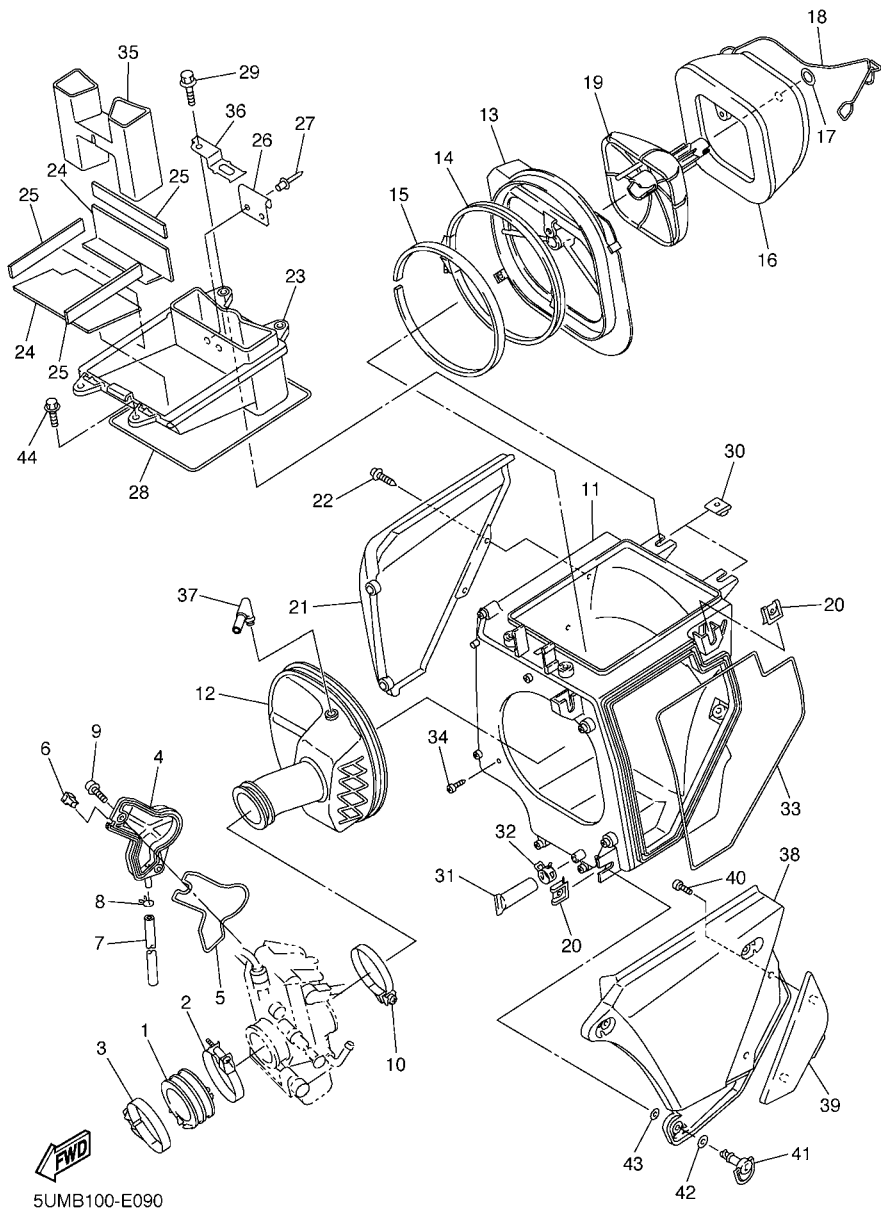
REF. NO.	PART NO.	DESCRIPTION	SUMB	SUMC	SUMD	REMARKS
1	5XC-13597-00	JOINT, CARBURETOR 3	1	1	1	
2	90450-57010	HOSE CLAMP ASSY	1	1	1	
3	90450-54002	HOSE CLAMP ASSY	1	1	1	
4	5TA-14293-00	COVER 1	1	1	1	
5	5TA-14227-00	GASKET	1	1	1	
6	5TA-14239-00	SEAL	1	1	1	
7	5TA-14987-00	HOSE	1	1	1	
8	3TJ-14137-40	CLIP	1	1	1	
9	5TA-14428-00	BOLT	2	2	2	
10	90450-61001	HOSE CLAMP ASSY	1	1	1	
11	5TJ-14401-20	AIR CLEANER CASE ASSY	1	1	1	
12	5TJ-14453-00	JOINT, AIR CLEANER 1	1	1	1	
13	5TJ-14459-00	HOLDER, GUIDE	1	1	1	
14	5NY-14455-10	BAND	1	1	1	
15	5NY-14442-00	SPACER	1	1	1	
16	5TJ-14451-00	ELEMENT, AIR CLEANER	1	1	1	
17	5TJ-14475-00	WASHER	1	1	1	
18	5TJ-1441G-00	BINDER 1	1	1	1	
19	5TJ-14458-00	GUIDE	1	1	1	
20	4XV-2177L-01	PLATE, SPRING	3	3	3	
21	5TJ-1441E-10	COVER, CLEANER CASE 2	1	1	1	
22	97707-40016	SCREW, TAPPING	2	2	2	
23	5TJ-14437-10	DUCT	1	1	1	
24	5TJ-14425-10	DAMPER 1	2	2	2	
25	5TJ-14426-00	DAMPER 2	3	3	3	
26	5TJ-14436-00	HOOK	1	1	1	
27	90267-32146	RIVET, BLIND	2	2	2	

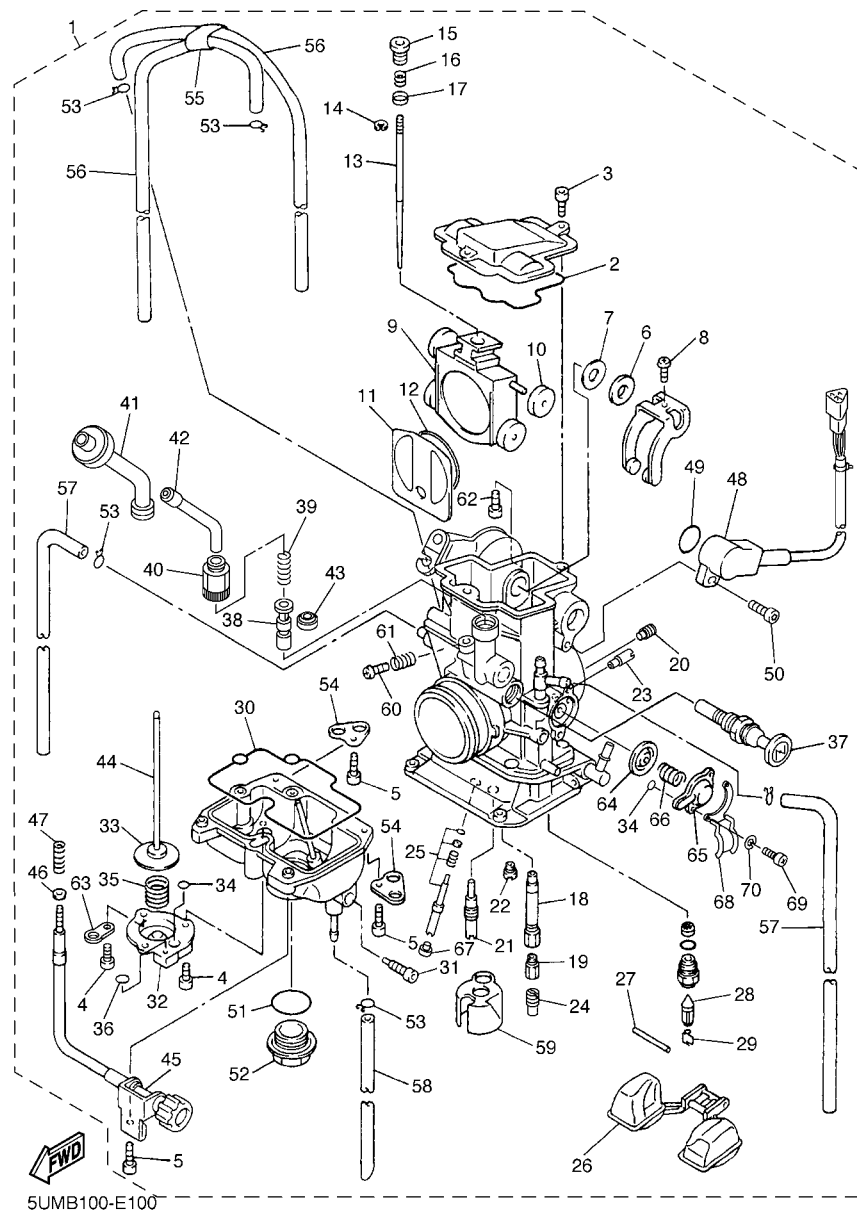


5UMB100-E090

FIG. 9 INTAKE

REF. NO.	PART NO.	DESCRIPTION	SUMB	SUMC	SUMD	REMARKS
28	5TJ-14457-00	SEAL	1	1	1	
29	95027-06020	BOLT, FLANGE	2	2	2	
30	90183-06023	NUT, SPRING	2	2	2	
31	5BF-1443E-00	PIPE, DRAIN	1	1	1	
32	90467-17089	CLIP	1	1	1	
33	5TJ-14462-00	SEAL	1	1	1	
34	97707-50516	SCREW, TAPPING	1	1	1	
35	5TJ-1443A-00	DUCT	1	1	1	
36	5TJ-81953-00	STAY, RELAY	1	1	1	
37	5TJ-14419-00	PIPE	1	1	1	
38	5TJ-1441A-00	COVER, CLEANER CASE 1	1	1	1	
39	5TJ-1442A-00	COVER, CLEANER CASE 3	1	1	1	
40	97707-30512	SCREW, TAPPING	2	2	2	
41	3FV-28386-00	HEAD	3	3	3	
42	2TK-21757-00	WASHER, SPECIAL 1	3	3	3	
43	5TJ-21757-00	WASHER, SPECIAL 1	3	3	3	
44	95827-06016	BOLT, FLANGE	2	2	2	

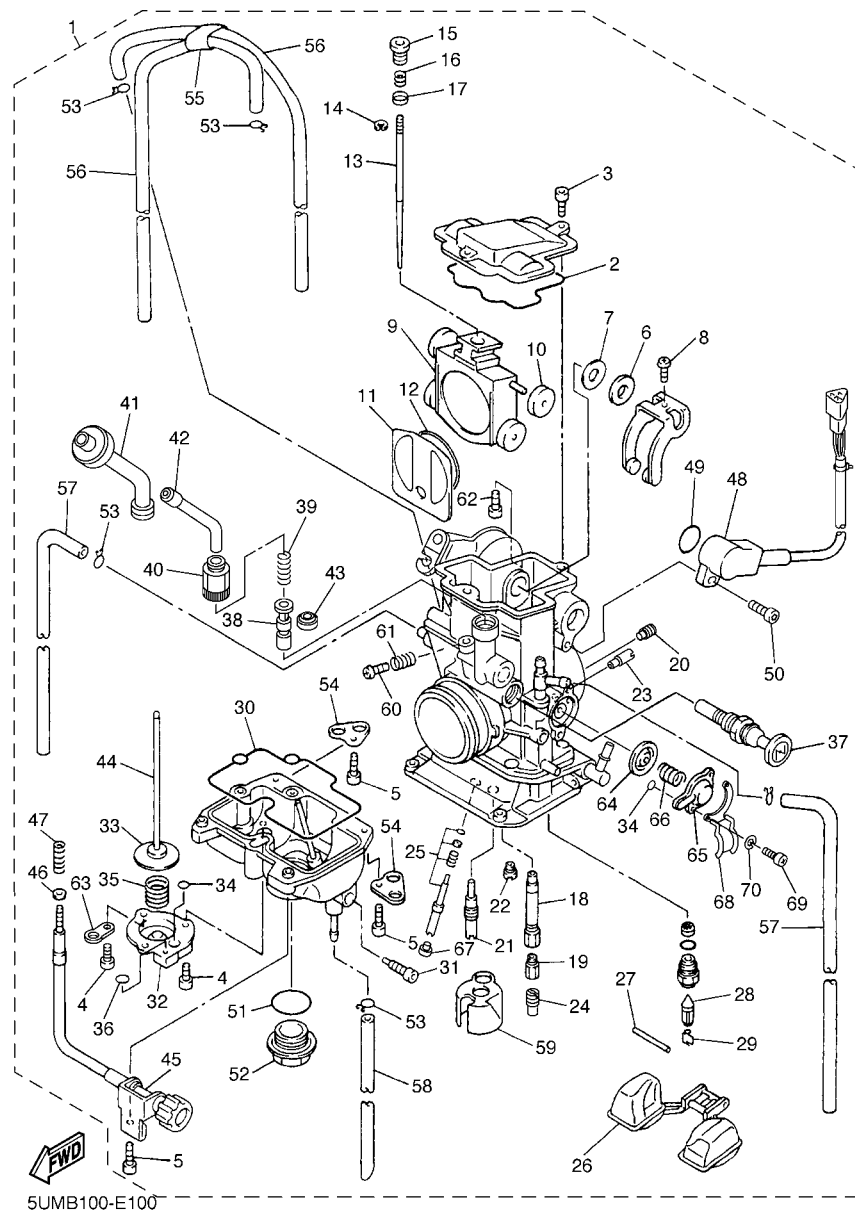




5UMB100-E100

FIG. 10 CARBURETOR

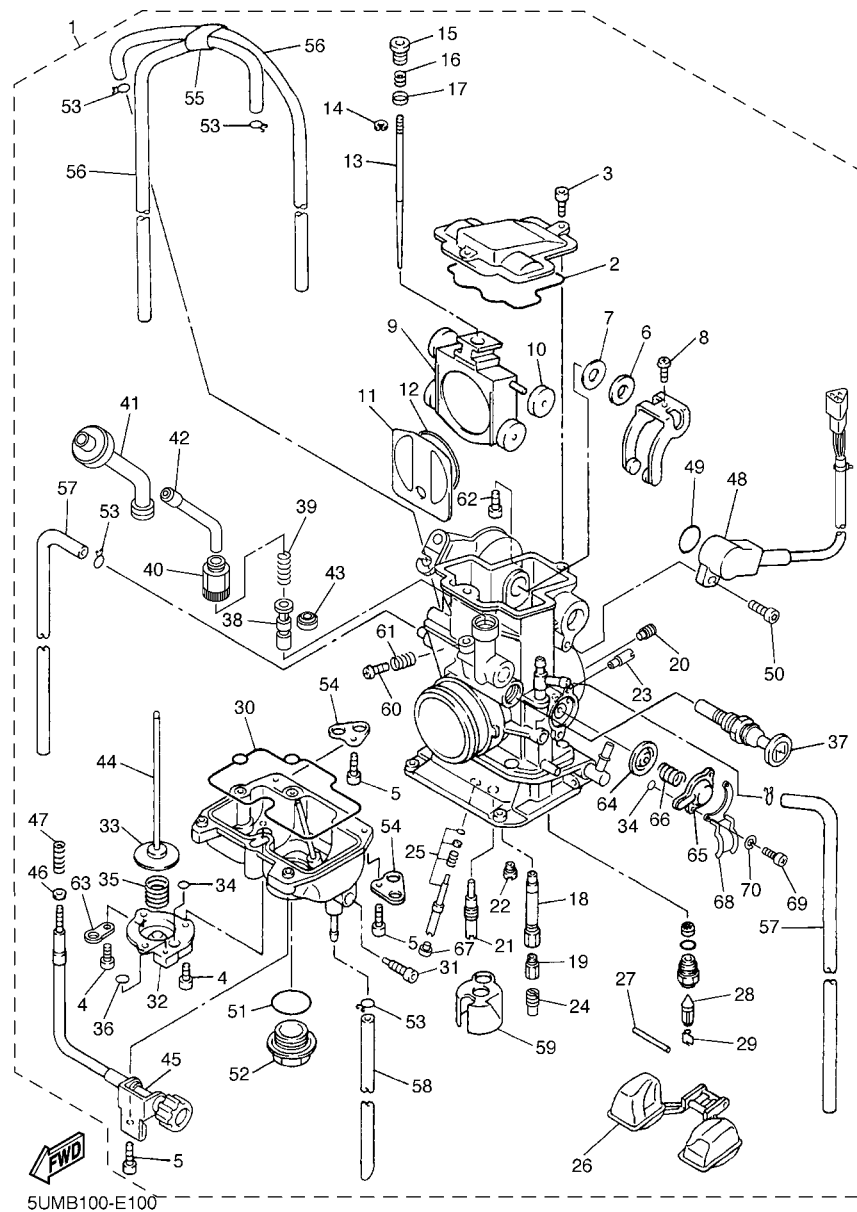
REF. NO.	PART NO.	DESCRIPTION	SUMB	SUMC	SUMD	REMARKS
1	5UM-14101-B0	CARBURETOR ASSY 1	1	1	1	
2	5JG-14959-00	.GASKET	1	1	1	
3	91316-04012	.BOLT	2	2	2	
4	688-14592-00	.SCREW	3	3	3	
5	98502-04012	.SCREW, PAN HEAD	4	4	4	
6	90202-08045	.WASHER, PLATE	1	1	1	
7	5JG-14951-00	.WASHER	1	1	1	
8	5JG-14522-00	.SCREW, ADJUST	1	1	1	
9	5JG-14388-00	.VALVE, VACUUM CONTROL	1	1	1	
10	3TJ-14267-40	.ROLLER	1	1	1	
11	5JG-14546-01	.VALVE, NEEDLE	1	1	1	
12	4FN-14997-00	.SEAL	1	1	1	
13	5UM-14916-SU	.NEEDLE (#NGSU)	1	1	1	STD
	5UM-14916-CK	.NEEDLE (#GDEQK)		1		AP
	5UM-14916-CL	.NEEDLE (#GDEQL)		1		AP
	5UM-14916-CM	.NEEDLE (#GDEQM)		1		AP
	5UM-14916-CN	.NEEDLE (#GDEQN)		1		AP
	5UM-14916-CP	.NEEDLE (#GDEQP)		1		AP
	5UM-14916-C1	.NEEDLE (#GDEQQ)		1		AP
	5UM-14916-CR	.NEEDLE (#GDEQR)		1		AP
	5UM-14916-DJ	.NEEDLE (#GDERJ)			1	AP
	5UM-14916-DK	.NEEDLE (#GDERK)			1	AP
	5UM-14916-DL	.NEEDLE (#GDERL)			1	AP
	5UM-14916-DM	.NEEDLE (#GDERM)			1	AP
	5UM-14916-DN	.NEEDLE (#GDERN)			1	AP
	5UM-14916-DP	.NEEDLE (#GDERP)			1	AP
	5UM-14916-D1	.NEEDLE (#GDERQ)			1	AP



5UMB100-E100

FIG. 10 CARBURETOR

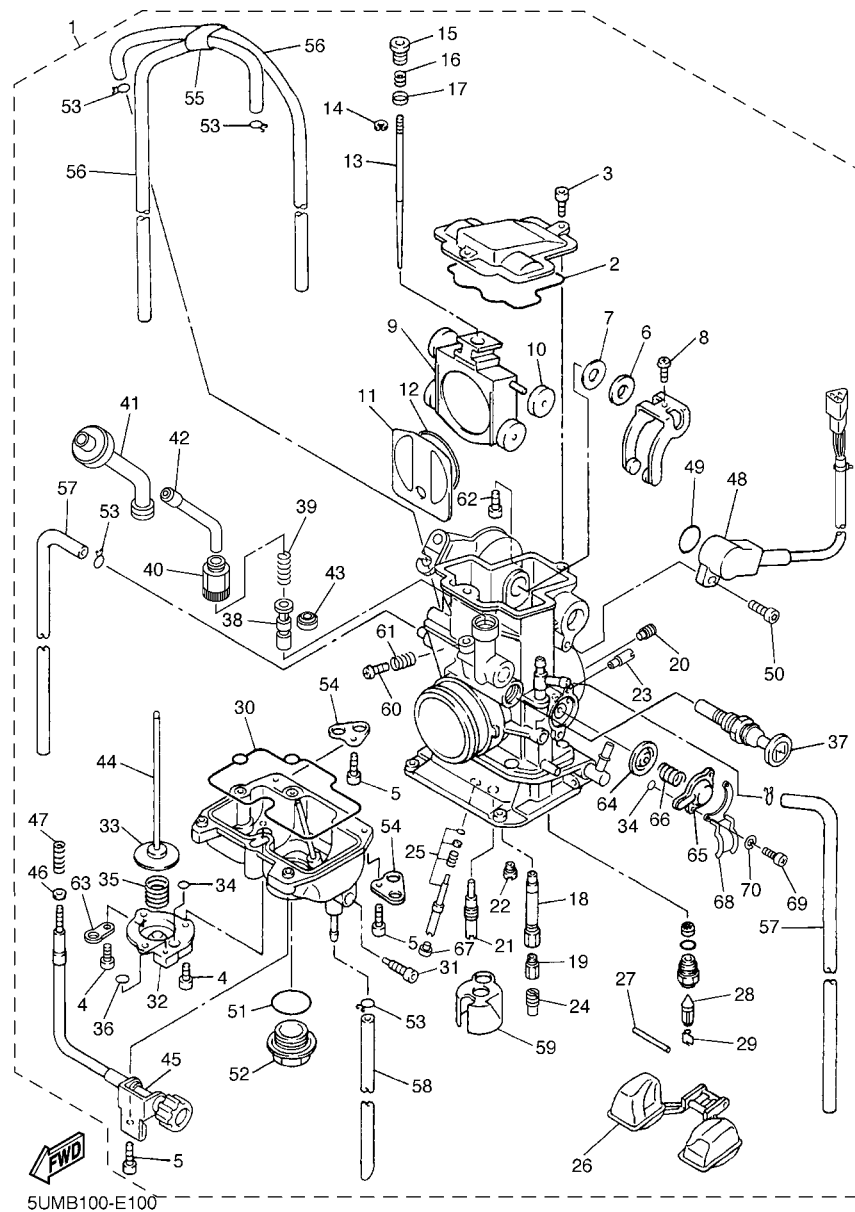
REF. NO.	PART NO.	DESCRIPTION	5UMB	5UMC	5UMD	REMARKS
14	3TJ-14159-40	.CLIP	1	1	1	
15	5JG-14521-00	.SCREW, ADJUST	1	1	1	
16	5JG-14275-00	.SPRING	1	1	1	
17	5JG-14264-00	.COLLAR	1	1	1	
18	5TJ-14947-00	.JET, NEEDLE	1	1	1	
19	4MX-14943-91	.JET, MAIN (#168)	1	1	1	STD
	4MX-14943-89	.JET, MAIN (#158)		1	1	AP
	4MX-14943-39	.JET, MAIN (#160)		1	1	AP
	4MX-14943-90	.JET, MAIN (#162)		1	1	AP
	4MX-14943-40	.JET, MAIN (#165)		1	1	AP
	4MX-14943-41	.JET, MAIN (#170)		1	1	AP
	4MX-14943-92	.JET, MAIN (#172)		1	1	AP
	4MX-14943-42	.JET, MAIN (#175)		1	1	AP
	4MX-14943-93	.JET, MAIN (#178)		1	1	AP
20	5UM-1494F-30	.JET (#115)	1	1	1	
21	4MX-14948-04	.JET, SLOW (#42)	1	1	1	STD
	4MX-14948-01	.JET, SLOW (#35)		1	1	AP
	4MX-14948-02	.JET, SLOW (#38)		1	1	AP
	4MX-14948-03	.JET, SLOW (#40)		1	1	AP
	4MX-14948-05	.JET, SLOW (#45)		1	1	AP
22	3TJ-1494F-14	.JET (#68)	1	1	1	STD
	3TJ-1494F-12	.JET (#62)		1	1	AP
	3TJ-1494F-13	.JET (#65)		1	1	AP
	3TJ-1494F-15	.JET (#70)		1	1	AP
	3TJ-1494F-16	.JET (#72)		1	1	AP
23	5TA-14943-15	.JET, MAIN (#70)	1	1	1	
24	4JT-1494F-15	.JET (#70)	1	1	1	STD



5UMB100-E100

FIG. 10 CARBURETOR

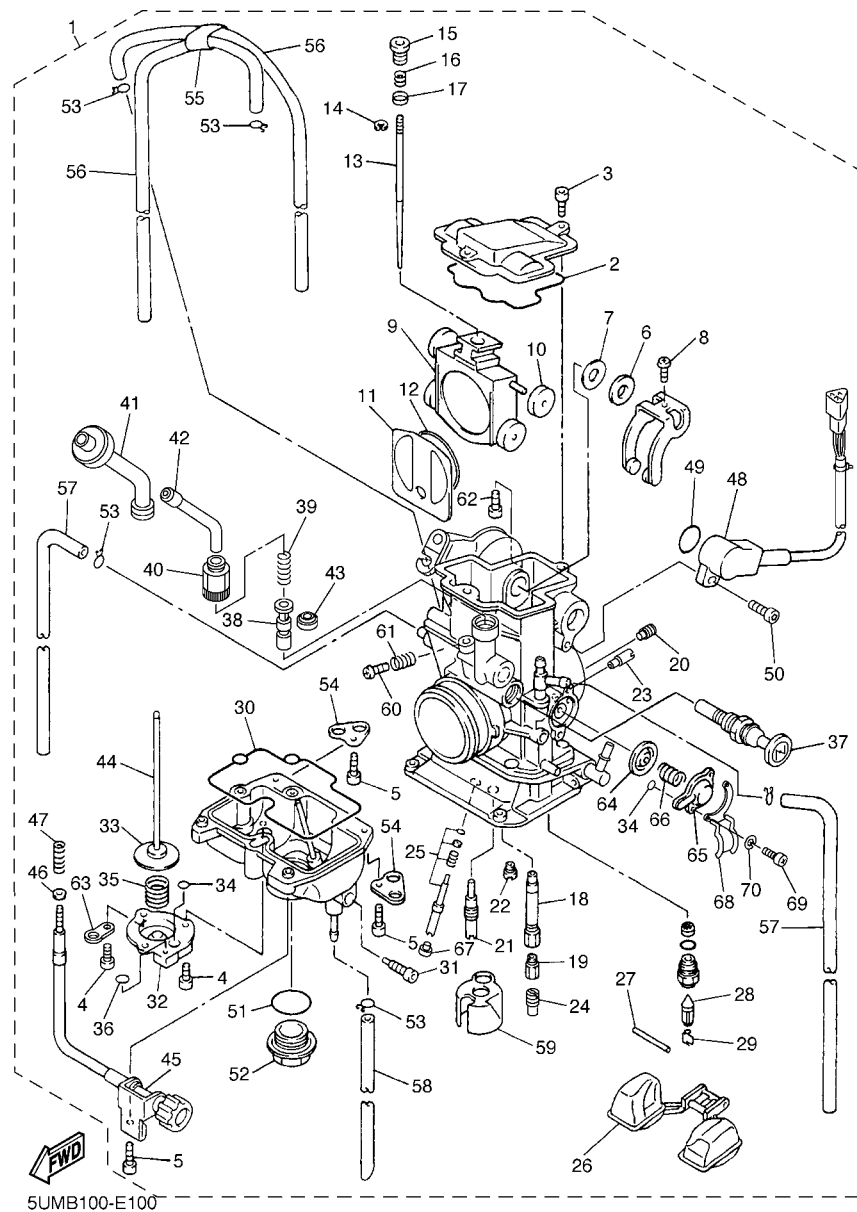
REF. NO.	PART NO.	DESCRIPTION	SUMB	SUMC	SUMD	REMARKS
24	4JT-1494F-13	.JET (#65)		1	1	AP
	4JT-1494F-17	.JET (#75)		1	1	AP
	4JT-1494F-21	.JET (#85)		1	1	AP
	4JT-1494F-25	.JET (#95)		1	1	AP
	4JT-1494F-28	.JET (#105)		1	1	AP
	4JT-1494F-30	.JET (#115)		1	1	AP
	4JT-1494F-32	.JET (#125)		1	1	AP
25	5NL-14105-00	.PILOT SCREW SET	1	1	1	
26	4SR-14985-00	.FLOAT	1	1	1	
27	676-14548-00	.PIN, FLOAT ARM	1	1	1	
28	4MX-14392-00	.VALVE, NEEDLE	1	1	1	
29	633-14159-00	.CLIP	1	1	1	
30	5JG-14984-00	.GASKET, FLOAT CHAMBER	1	1	1	
31	3TJ-14191-40	.PLUG, DRAIN	1	1	1	
32	3TJ-14293-40	.COVER 1	1	1	1	
33	5JG-14940-76	.DIAPHRAGM ASSY	1	1	1	STD
	5JG-14940-16	.DIAPHRAGM ASSY		1	1	AP
	5JG-14940-17	.DIAPHRAGM ASSY		1	1	AP
	5JG-14940-18	.DIAPHRAGM ASSY		1	1	AP
34	3TJ-14536-40	.GASKET	2	2	2	
35	3TJ-14933-40	.SPRING, DIAPHRAGM	1	1	1	
36	6H4-14561-00	.O-RING	1	1	1	
37	5TA-14171-00	.PLUNGER, STARTER	1	1	1	
38	5TA-14371-00	.PLUNGER, STARTER	1	1	1	
39	5TA-14335-00	.SPRING, PLUNGER	1	1	1	
40	5TA-14991-00	.SCREW	1	1	1	
41	5TA-14374-00	.CAP, PLUNGER	1	1	1	



5UMB100-E100

FIG. 10 CARBURETOR

REF. NO.	PART NO.	DESCRIPTION	SUMB	SUMC	SUMD	REMARKS
42	5TA-14155-00	.GUIDE, CABLE	1	1	1	
43	5TA-14997-00	.SEAL	1	1	1	
44	5JG-14379-00	.ROD, STARTER	1	1	1	
45	5JG-14922-00	.SCREW, THROTTLE	1	1	1	
46	90201-08410	.WASHER, PLATE	1	1	1	
47	5TA-14934-00	.SPRING, THROTTLE STOP	1	1	1	
48	5TA-85885-00	.THROTTLE SENSOR ASSY	1	1	1	
49	5NX-14562-00	.O-RING	1	1	1	
50	5NX-14216-00	.SCREW	1	1	1	
51	4MX-14561-00	.O-RING	1	1	1	
52	4MX-14115-00	.PLUG, SCREW	1	1	1	
53	3TJ-14137-40	.CLIP	5	5	5	
54	5BE-14146-00	.PLATE	2	2	2	
55	5TA-14261-00	.HOLDER	1	1	1	
56	5UL-14196-00	.PIPE	2	2	2	
57	5TA-14197-00	.PIPE	2	2	2	
58	5TJ-14987-00	.HOSE	1	1	1	
59	5JG-14346-00	.PLATE	1	1	1	
60	5JG-14565-00	.SCREW	1	1	1	
61	5JG-14531-00	.SPRING, ADJUST SCREW	1	1	1	
62	5GS-14591-00	.SCREW	1	1	1	
63	5PA-14146-00	.PLATE	1	1	1	
64	5GS-14940-00	.DIAPHRAGM ASSY	1	1	1	
65	5GS-14958-00	.COVER, DIAPHRAGM	1	1	1	
66	5GS-14933-00	.SPRING, DIAPHRAGM	1	1	1	
67	5TJ-14118-00	.CAP	1	1	1	
68	5TJ-14243-00	.PLATE	1	1	1	

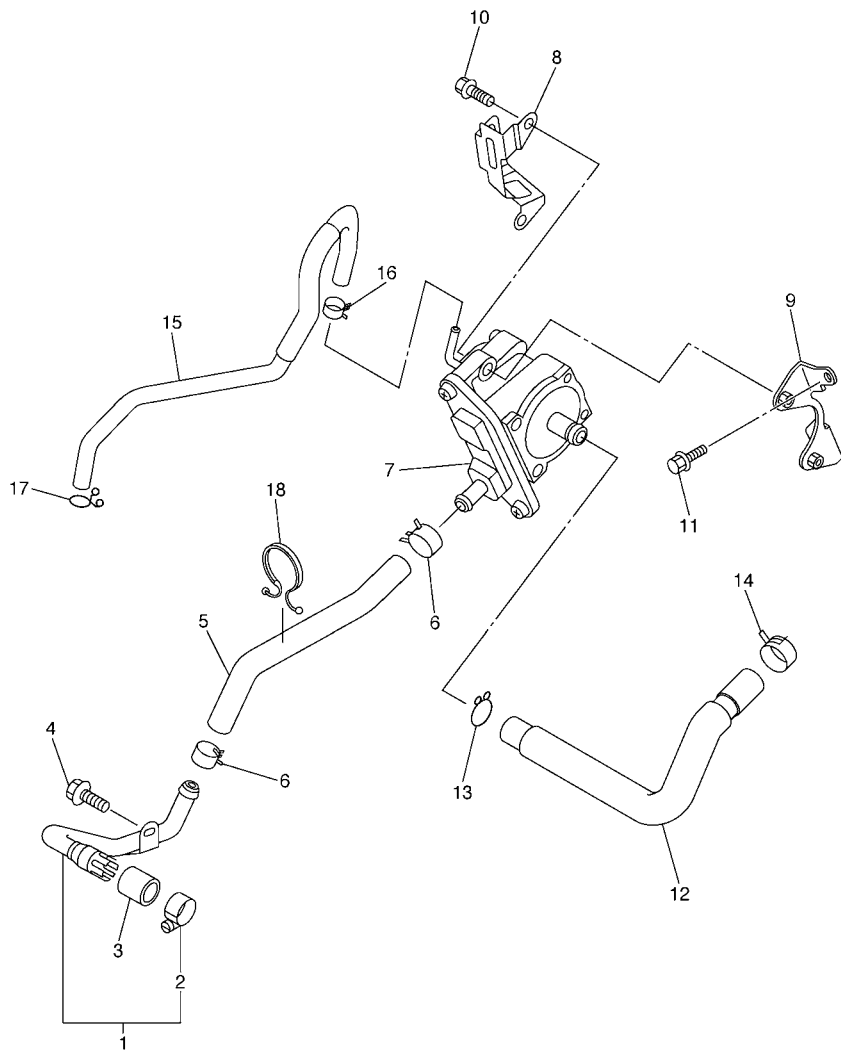


5UMB100-E100

FIG. 10 CARBURETOR

REF. NO.	PART NO.	DESCRIPTION	SUMB	SUMC	SUMD	REMARKS
69	98502-04010	.SCREW, PAN HEAD	2	2	2	
70	92902-04100	.WASHER, SPRING	2	2	2	

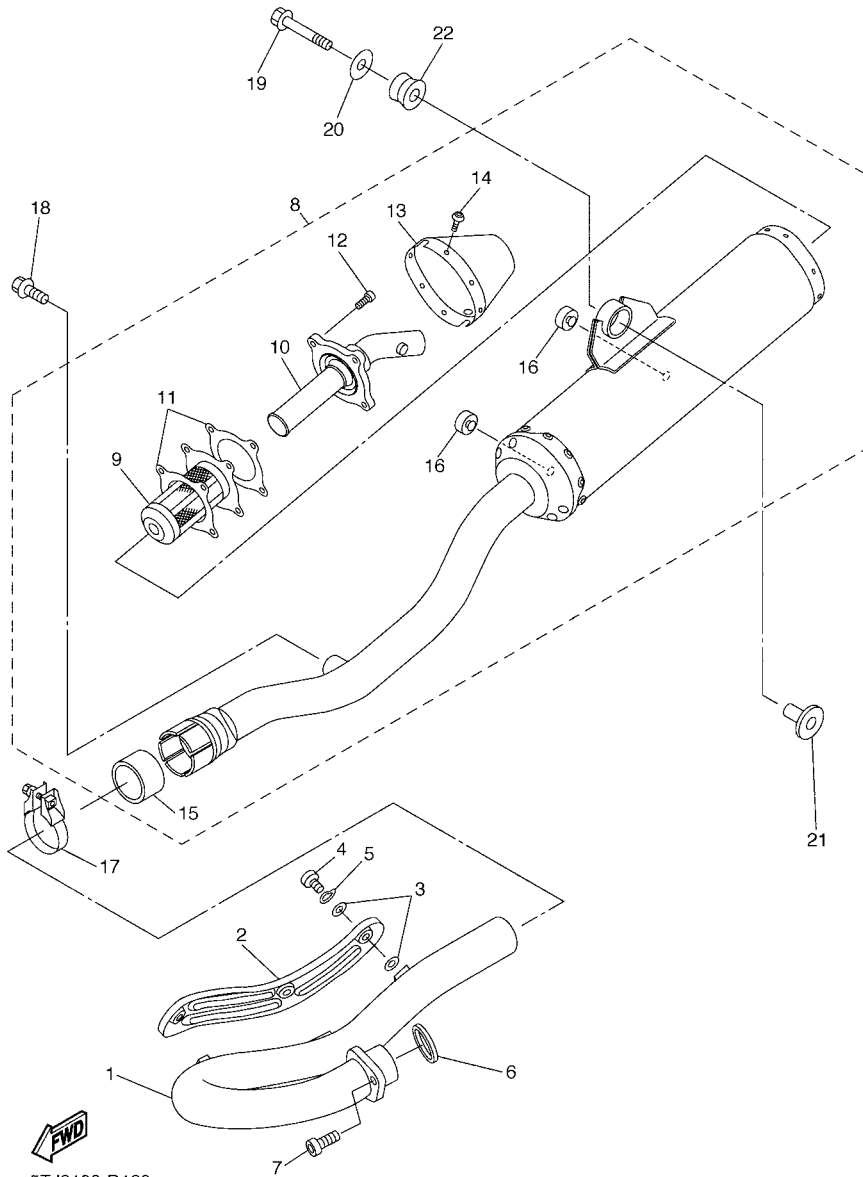
FIG. 11 AIR INDUCTION SYSTEM



REF. NO.	PART NO.	DESCRIPTION	SUMB	SUMC	SUMD	REMARKS
1	5UM-14871-00	PIPE 1	1	1	1	
2	90450-20078	.HOSE CLAMP ASSY	1	1	1	
3	4KM-14714-01	GASKET, MUFFLER	1	1	1	
4	95022-06012	BOLT, FLANGE	1	1	1	
5	5TJ-14881-00	HOSE, BEND 1	1	1	1	
6	90467-15054	CLIP	2	2	2	
7	5TJ-14803-00	AIR INDUCTION SYSTEM ASSY	1	1	1	
8	5TJ-1482K-10	PLATE	1	1	1	
9	5TJ-14834-00	STAY	1	1	1	
10	95022-06020	BOLT, FLANGE	2	2	2	
11	95027-06010	BOLT, FLANGE	2	2	2	
12	5TJ-14882-00	HOSE, BEND 2	1	1	1	
13	90467-15197	CLIP	1	1	1	
14	90468-08104	CLIP	1	1	1	
15	5TJ-13542-10	HOSE, VACUUM SENSING 1	1	1	1	
16	90467-07138	CLIP	1	1	1	
17	90467-09006	CLIP	1	1	1	
18	90464-23041	CLAMP	1	1	1	



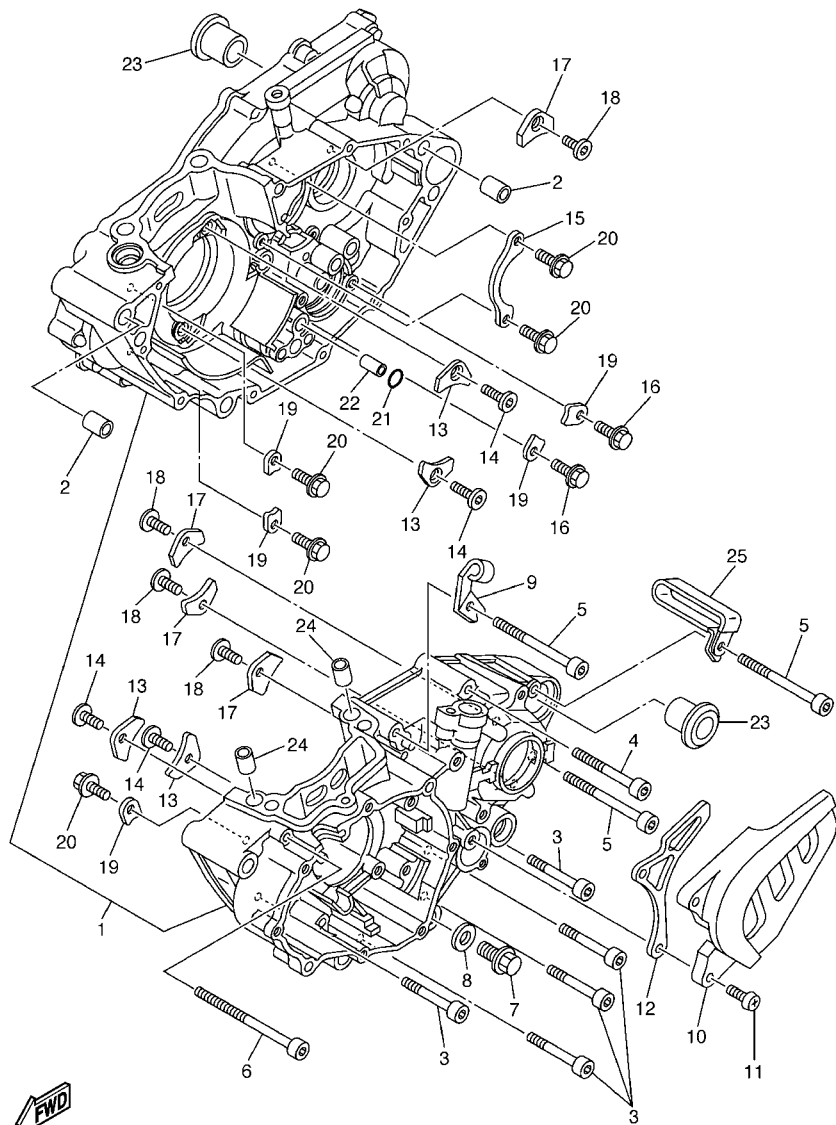
5UMB100-E110



5TJ8100-D120

FIG. 12 EXHAUST

REF. NO.	PART NO.	DESCRIPTION	SUMB	SUMC	SUMD	REMARKS
1	5UM-14611-00	PIPE, EXHAUST 1	1	1	1	
2	5XC-14628-00	PROTECTOR, EXHAUST PIPE	1	1	1	
3	4BD-14766-00	WASHER, PROTECTOR	6	6	6	
4	98980-06008	SCREW, BIND	3	3	3	
5	90206-06090	WASHER, WAVE	3	3	3	
6	5NL-14613-00	GASKET, EXHAUST PIPE	1	1	1	
7	91312-08020	BOLT	1	1	1	
8	5UM-14710-80	MUFFLER ASSY 1	1	1	1	
9	5TJ-14780-00	.SPARK ARRESTER ASSY	1	1	1	
10	5TJ-14784-00	.PIPE, TAIL	1	1	1	
11	5TJ-14623-00	.GASKET, EXHAUST PIPE	2	2	2	
12	91314-05008	.BOLT	4	4	4	
13	5TJ-14799-00	.CAP	1	1	1	
14	92014-05008	.BOLT, BUTTON HEAD	6	6	6	
15	5PH-14714-00	.GASKET, MUFFLER	1	1	1	
16	22W-24181-00	.DAMPER, LOCATING 1	2	2	2	
17	5BE-14788-00	BAND, SILENCER	1	1	1	
18	90105-08085	BOLT, FLANGE	1	1	1	
19	90105-08659	BOLT, FLANGE	1	1	1	
20	90201-08008	WASHER, PLATE	1	1	1	
21	90387-0814J	COLLAR	1	1	1	
22	5BE-14747-00	DAMPER, MUFFLER	1	1	1	



5UM5100-C120

FIG. 13 CRANKCASE

REF. NO.	PART NO.	DESCRIPTION	SUMB	SUMC	SUMD	REMARKS
1	5UM-15150-10	CRANKCASE ASSY	1	1	1	
2	93612-16254	PIN, DOWEL	2	2	2	
3	91312-06045	BOLT	5	5	5	
4	91312-06055	BOLT	1	1	1	
5	91312-06070	BOLT	3	3	3	
6	91312-06100	BOLT	1	1	1	
7	95022-10016	BOLT, FLANGE	1	1	1	
8	90430-10188	GASKET	1	1	1	
9	5NL-15441-01	HOLDER, CLUTCH CABLE	1	1	1	
10	5BE-15421-20	COVER, CRANKCASE 2	1	1	1	
11	98502-06025	SCREW, PAN HEAD	2	2	2	
12	5NL-17466-00	GUIDE, CHAIN	1	1	1	
13	5BE-15383-01	PLATE, BEARING COVER	4	4	4	
14	90149-06126	SCREW	4	4	4	
15	5NL-15388-00	PLATE, BEARING COVER	1	1	1	
16	90105-06553	BOLT, FLANGE	2	2	2	
17	4JT-15381-01	PLATE, BEARING COVER	4	4	4	
18	90149-06326	SCREW	4	4	4	
19	5DH-18562-00	PLATE, STOPPER 2	5	5	5	
20	90105-06553	BOLT, FLANGE	5	5	5	
21	93210-10197	O-RING	1	1	1	
22	99530-10114	PIN, DOWEL	1	1	1	
23	90387-18007	COLLAR	2	2	2	
24	99530-10116	PIN, DOWEL	2	2	2	
25	90465-10013	CLAMP	1	1	1	

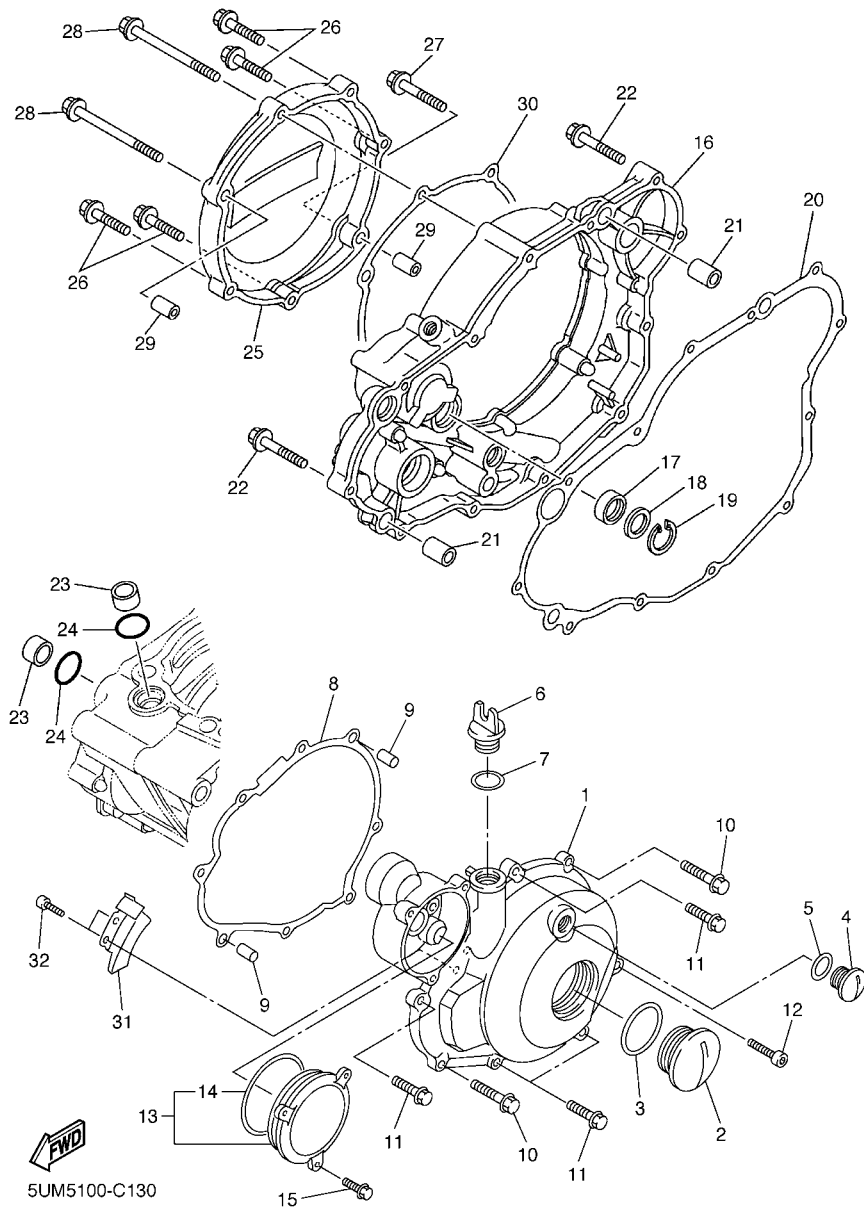


FIG. 14 CRANKCASE COVER 1

REF. NO.	PART NO.	DESCRIPTION	5UMB	5UMC	5UMD	REMARKS
1	5UM-15411-10	COVER, CRANKCASE 1	1	1	1	
2	90340-27002	PLUG, STRAIGHT SCREW	1	1	1	
3	93210-27370	O-RING	1	1	1	
4	90340-14128	PLUG, STRAIGHT SCREW	1	1	1	
5	93210-14369	O-RING	1	1	1	
6	3Y1-15363-00	PLUG, OIL	1	1	1	
7	93210-19123	O-RING	1	1	1	
8	5UM-15451-00	GASKET, CRANKCASE COVER 1	1	1	1	
9	99530-08016	PIN, DOWEL	2	2	2	
10	95022-06040	BOLT, FLANGE	2	2	2	
11	95022-06030	BOLT, FLANGE	4	4	4	
12	91312-06110	BOLT	1	1	1	
13	5UM-1549B-10	COVER ASSY 2	1	1	1	
14	93210-60426	O-RING	1	1	1	
15	95022-06016	BOLT, FLANGE	3	3	3	
16	5NL-15431-10	COVER, CRANKCASE 3	1	1	1	
17	93101-14164	OIL SEAL	1	1	1	
18	90201-15701	WASHER, PLATE (T=1.0)	1	1	1	
19	99009-22500	CIRCLIP	1	1	1	
20	5NL-15462-00	GASKET, CRANKCASE COVER 3	1	1	1	
21	91812-16001	PIN, DOWEL	2	2	2	
22	95022-06035	BOLT, FLANGE	8	8	8	
23	5NL-12564-00	PIPE, WATER	2	2	2	
24	93210-16716	O-RING	2	2	2	
25	5NL-15415-00	COVER 1	1	1	1	
26	95022-06025	BOLT, FLANGE	4	4	4	
27	95022-06035	BOLT, FLANGE	1	1	1	

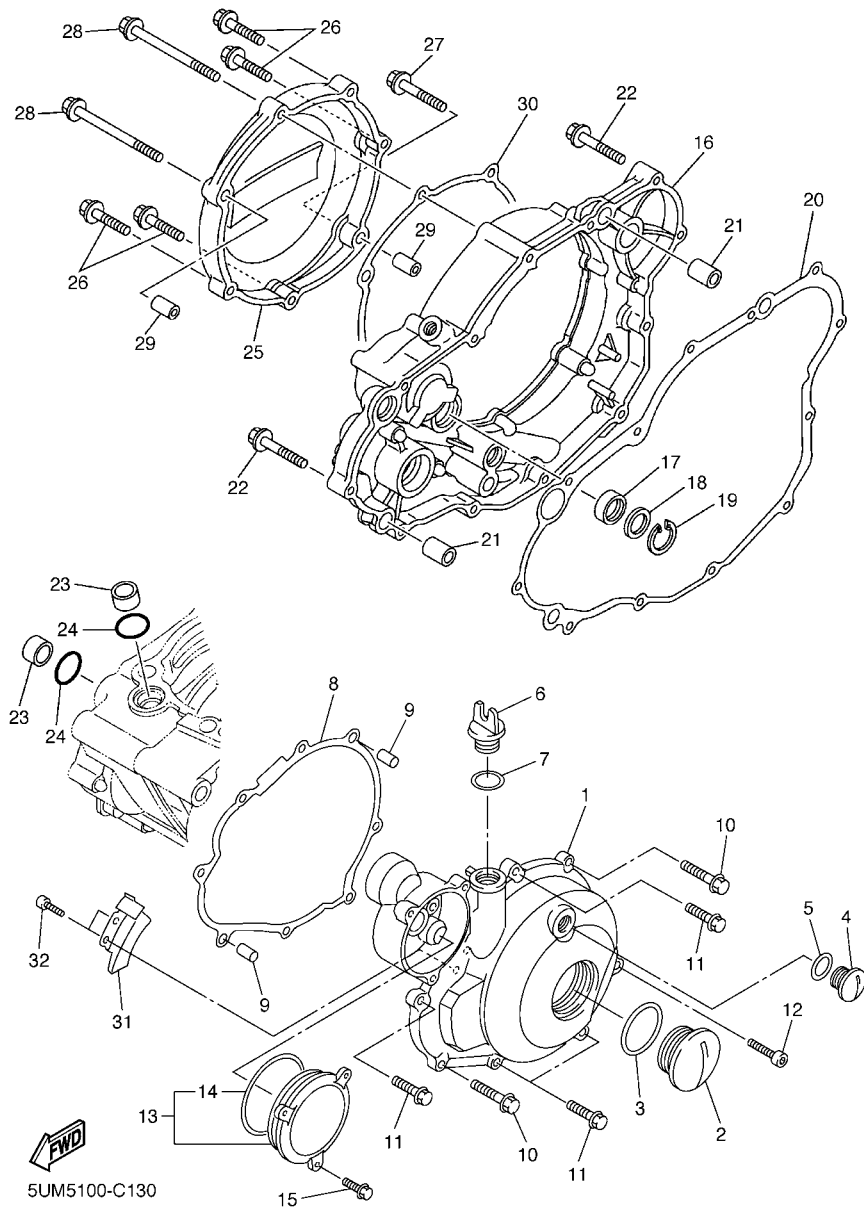
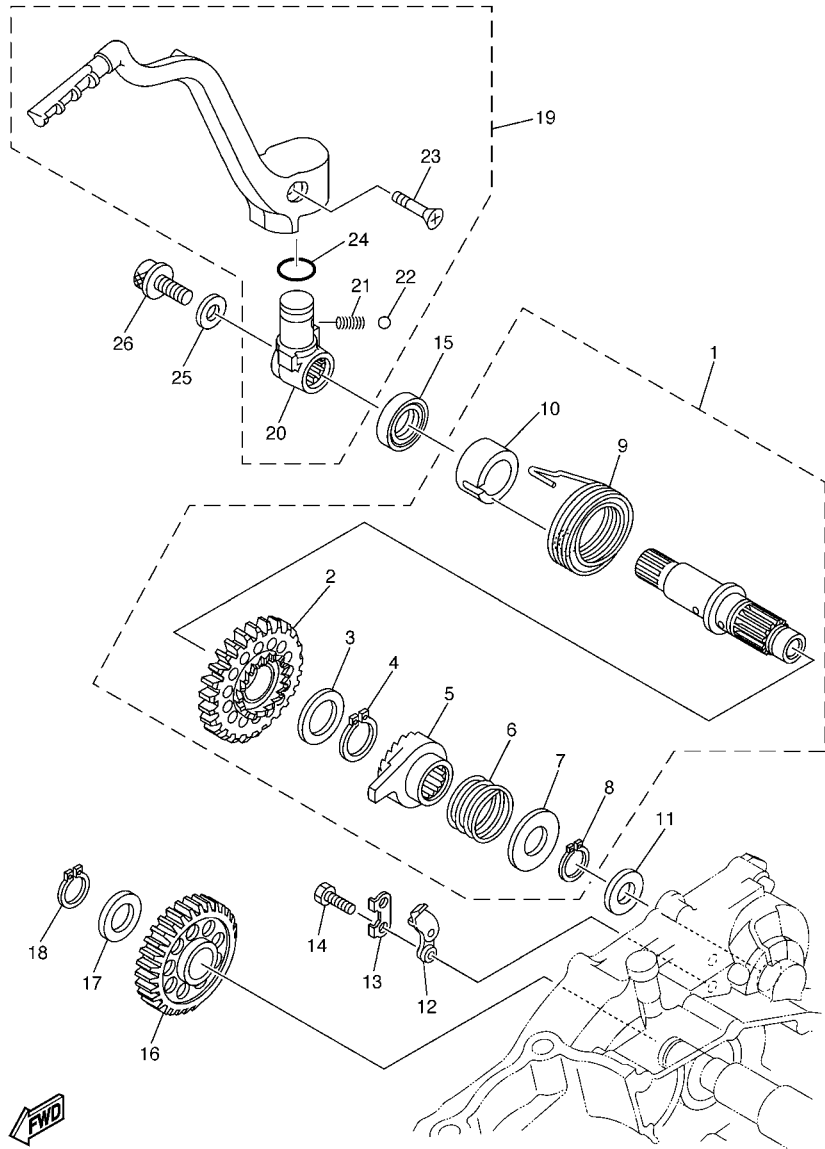


FIG. 14 CRANKCASE COVER 1

REF. NO.	PART NO.	DESCRIPTION	SUMB	SUMC	SUMD	REMARKS
28	90105-06098	BOLT, FLANGE	2	2	2	
29	99530-08016	PIN, DOWEL	2	2	2	
30	5NL-15453-00	GASKET 1	1	1	1	
31	5UM-81528-00	CLAMP 1	1	1	1	
32	91317-05012	BOLT	2	2	2	

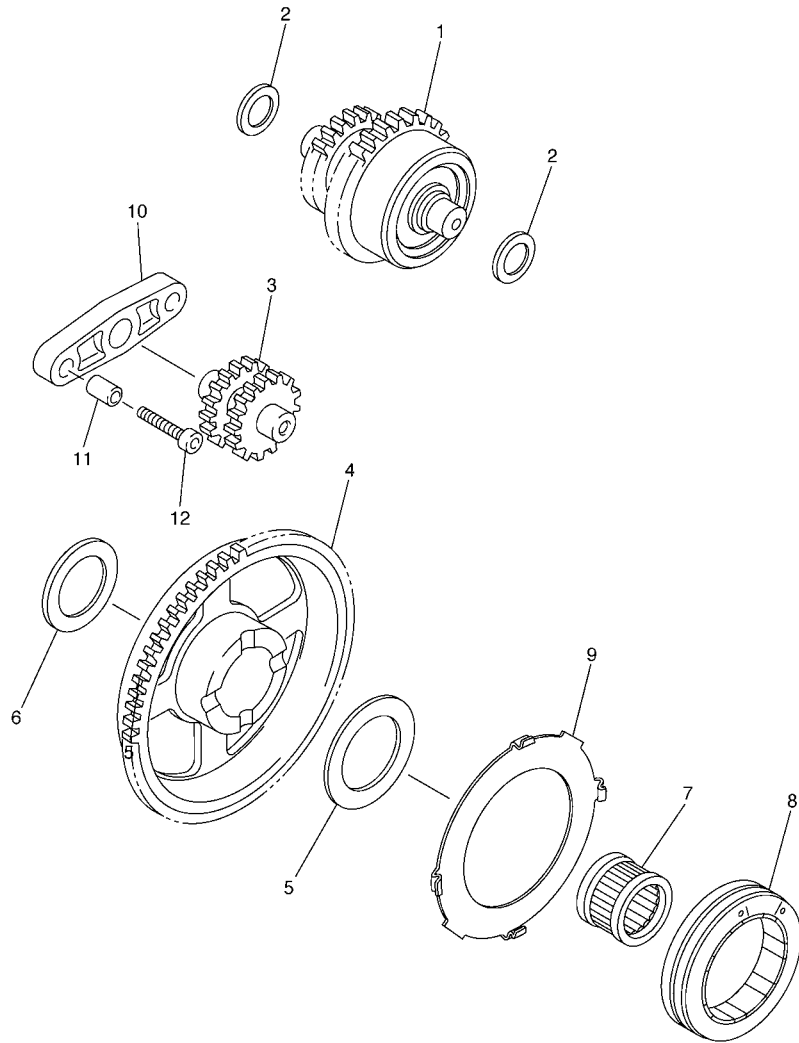
FIG. 15 STARTER



5SG1100-2140

REF. NO.	PART NO.	DESCRIPTION	SUMB	SUMC	SUMD	REMARKS
1	5NL-15601-10	KICK SHAFT ASSY	1	1	1	
2	5NL-15641-10	.GEAR, KICK	1	1	1	
3	90201-20685	.WASHER, PLATE (T=0.5)	1	1	1	
4	93410-20038	.CIRCLIP	1	1	1	
5	4GY-15671-00	.WHEEL, RATCHET	1	1	1	
6	90501-16016	.SPRING, COMPRESSION	1	1	1	
7	90201-167P7	.WASHER, PLATE	1	1	1	
8	99009-16400	.CIRCLIP	1	1	1	
9	90508-30743	.SPRING, TORSION	1	1	1	
10	5NL-15664-00	.GUIDE, SPRING	1	1	1	
11	90201-162H4	WASHER, PLATE	1	1	1	
12	5SG-15668-00	STOPPER	1	1	1	
13	214-15686-00	WASHER, LOCK	1	1	1	
14	90101-06001	BOLT	2	2	2	
15	93102-18278	OIL SEAL	1	1	1	
16	5NL-15651-00	GEAR, KICK IDLE	1	1	1	
17	90201-177G4	WASHER, PLATE	1	1	1	
18	99009-17400	CIRCLIP	1	1	1	
19	5NL-15620-10	KICK CRANK ASSY	1	1	1	
20	5NX-15621-10	.BOSS, KICK CRANK	1	1	1	
21	90501-147A5	.SPRING, COMPRESSION	1	1	1	
22	93507-32009	.BALL	1	1	1	
23	90152-06010	.SCREW, COUNTERSUNK	1	1	1	
24	93210-17570	.O-RING	1	1	1	
25	90201-08048	WASHER, PLATE	1	1	1	
26	90110-08051	BOLT, HEXAGON SOCKET HEAD	1	1	1	

FIG. 16 STARTER CLUTCH

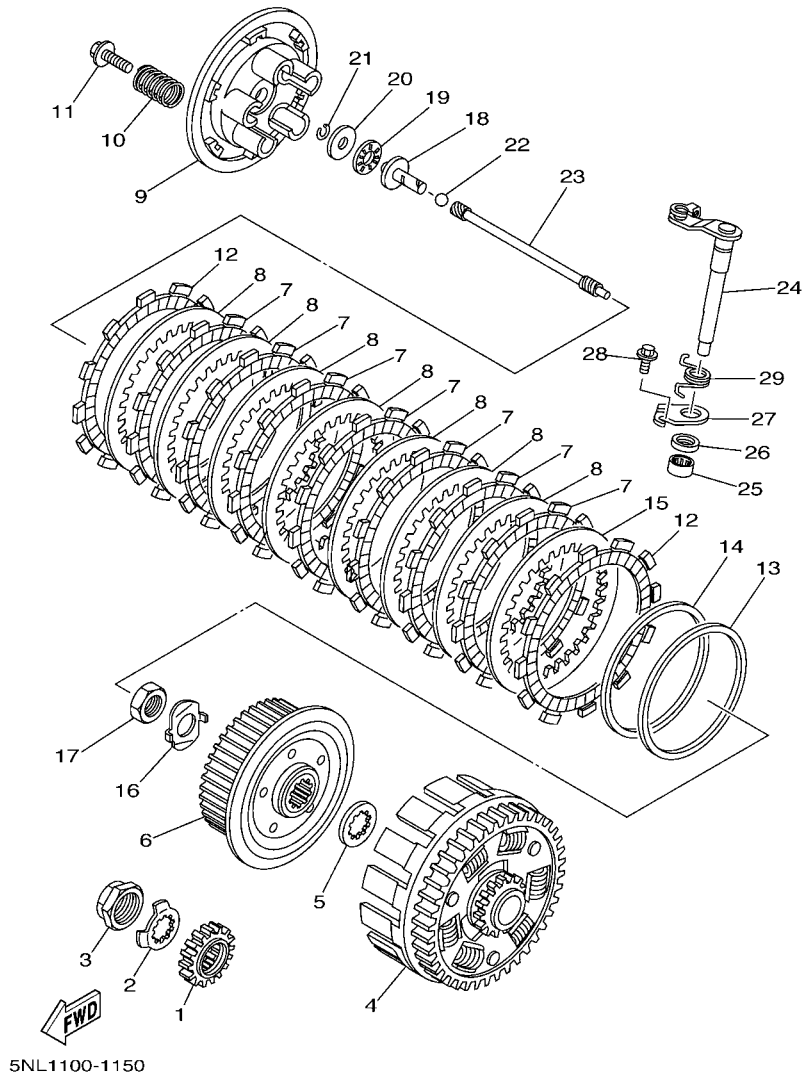


REF. NO.	PART NO.	DESCRIPTION	5UMB	5UMC	5UMD	REMARKS
1	5UM-15560-00	DAMPER ASSY	1	1	1	
2	90201-104R2	WASHER, PLATE	2	2	2	
3	5UM-15517-00	GEAR, IDLER 2	1	1	1	
4	5UM-15515-20	GEAR 3	1	1	1	
5	90201-20021	WASHER, PLATE	1	1	1	
6	90201-203L1	WASHER, PLATE	1	1	1	
7	93310-42057	BEARING	1	1	1	
8	5UM-15570-00	STARTER CLUTCH ASSY	1	1	1	
9	5VY-15586-00	PLATE, STARTER CLUTCH ASSY	1	1	1	
10	5UM-15532-00	PLATE, IDLE GEAR	1	1	1	
11	99530-08012	PIN, DOWEL	2	2	2	
12	91317-06025	BOLT	2	2	2	

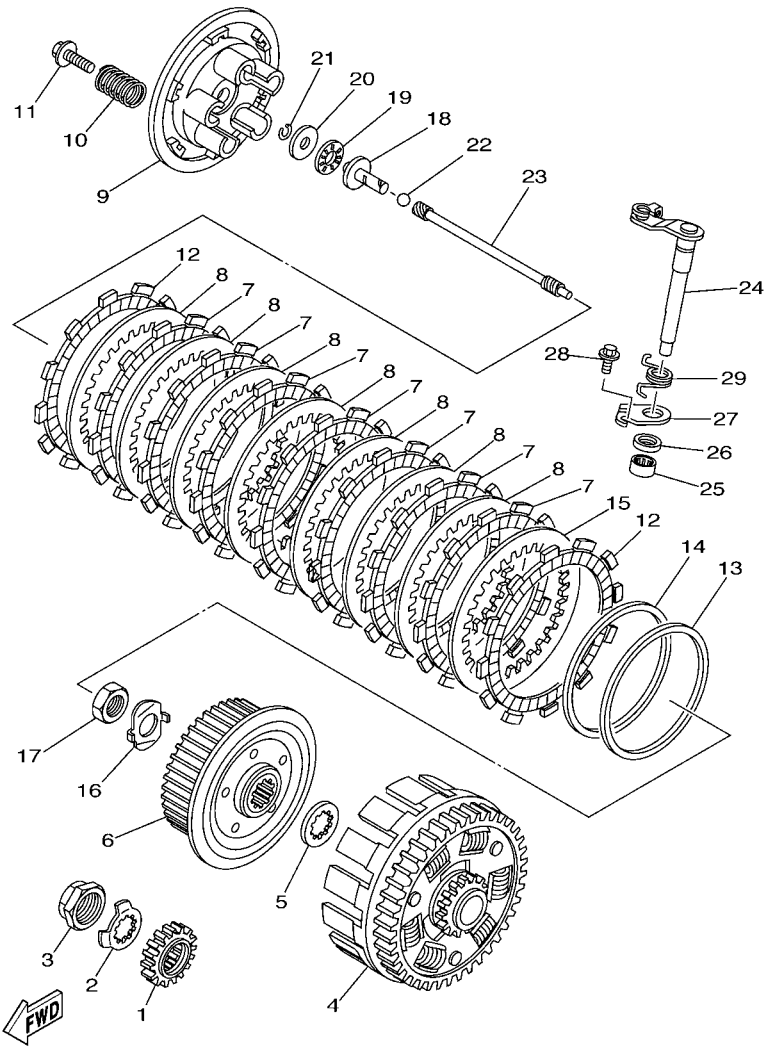


5UMB100-E160

FIG. 17 CLUTCH



REF. NO.	PART NO.	DESCRIPTION	SUMB	SUMC	SUMD	REMARKS
1	5NL-16111-00	GEAR, PRIMARY DRIVE	1	1	1	
2	90215-20003	WASHER, LOCK	1	1	1	
3	90179-18001	NUT	1	1	1	
4	5NL-16150-10	PRIMARY DRIVEN GEAR COMP.	1	1	1	
5	5NL-16154-00	PLATE, THRUST 1	1	1	1	
6	5NL-16371-00	BOSS, CLUTCH	1	1	1	
7	5DH-16321-00	PLATE, FRICTION	7	7	7	
8	5NL-16325-00	PLATE, CLUTCH 2	7	7	7	
9	5HD-16351-00	PLATE, PRESSURE 1	1	1	1	
10	90501-220A0	SPRING, COMPRESSION	5	5	5	
11	90159-06092	SCREW, WITH WASHER	5	5	5	
12	3XJ-16321-00	PLATE, FRICTION	2	2	2	
13	5NL-16384-00	PLATE, SEAT	1	1	1	
14	5NL-16383-10	SPRING, CLUTCH BOSS	1	1	1	
15	5NL-16325-10	PLATE, CLUTCH 2	1	1	1	
16	90215-16289	WASHER, LOCK	1	1	1	
17	90170-16326	NUT	1	1	1	
18	5NL-16356-00	ROD, PUSH 1	1	1	1	
19	93340-21008	BEARING	1	1	1	
20	90201-080H1	WASHER, PLATE	1	1	1	
21	93440-07182	CIRCLIP	1	1	1	
22	93511-32027	BALL	1	1	1	
23	5NL-16357-10	ROD, PUSH 2	1	1	1	
24	5JG-16381-00	PUSH LEVER COMP.	1	1	1	
25	93317-11287	BEARING	1	1	1	
26	93102-12224	OIL SEAL	1	1	1	
27	4JT-16384-00	PLATE, SEAT	1	1	1	



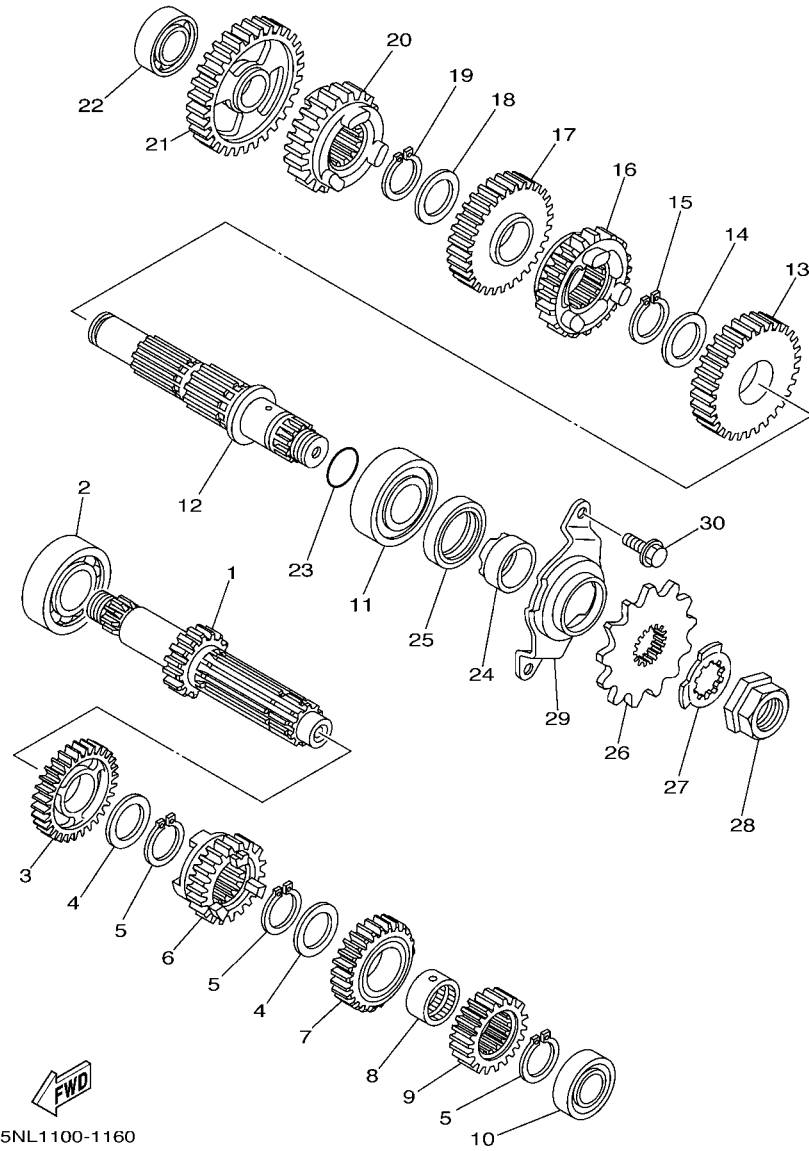
5NL1100-1150



FIG. 17 CLUTCH

REF. NO.	PART NO.	DESCRIPTION	SUMB	SUMC	SUMD	REMARKS
28	95022-06010	BOLT, FLANGE	1	1	1	
29	90508-12018	SPRING, TORSION	1	1	1	

FIG. 18 TRANSMISSION



5NL1100-1160

REF. NO.	PART NO.	DESCRIPTION	SUMB	SUMC	SUMD	REMARKS
1	5PH-17411-10	AXLE, MAIN (13T)	1	1	1	
2	93306-20447	BEARING	1	1	1	
3	5PH-17151-00	GEAR,5TH PINION (27T)	1	1	1	
4	90209-20008	WASHER	2	2	2	
5	93410-22039	CIRCLIP	3	3	3	
6	5PH-17131-10	GEAR,3RD PINION (21T)	1	1	1	
7	5PH-17141-10	GEAR, 4TH PINION (24T)	1	1	1	
8	90387-20006	COLLAR	1	1	1	
9	5NL-17121-00	GEAR, 2ND PINION (16T)	1	1	1	
10	93306-00320	BEARING	1	1	1	
11	93306-27208	BEARING	1	1	1	
12	5NL-17402-00	DRIVE AXLE ASSY	1	1	1	
13	5NL-17221-00	GEAR, 2ND WHEEL (28T)	1	1	1	
14	90209-23012	WASHER	1	1	1	
15	93410-26067	CIRCLIP	1	1	1	
16	5PH-17241-10	GEAR, 4TH WHEEL (25T)	1	1	1	
17	5PH-17231-10	GEAR,3RD WHEEL (28T)	1	1	1	
18	90209-20008	WASHER	1	1	1	
19	93410-22039	CIRCLIP	1	1	1	
20	5PH-17251-10	GEAR,5TH WHEEL (22T)	1	1	1	
21	5PH-17211-00	GEAR,1ST WHEEL (31T)	1	1	1	
22	93306-00317	BEARING	1	1	1	
23	93210-196A4	O-RING	1	1	1	
24	90387-22001	COLLAR	1	1	1	
25	93102-28010	OIL SEAL	1	1	1	
26	9383B-13218	SPROCKET, DRIVE (13T)	1	1	1	STD
	9383B-14222	SPROCKET, DRIVE (14T)			1	UR

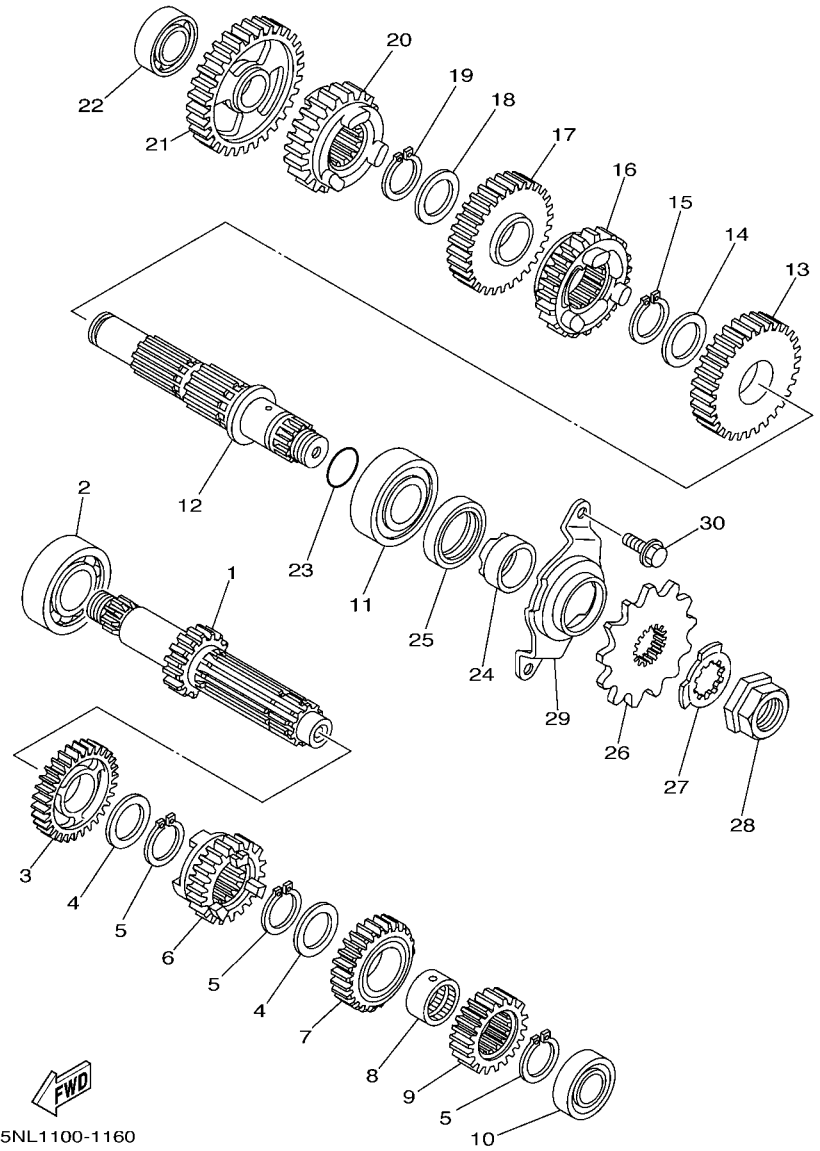
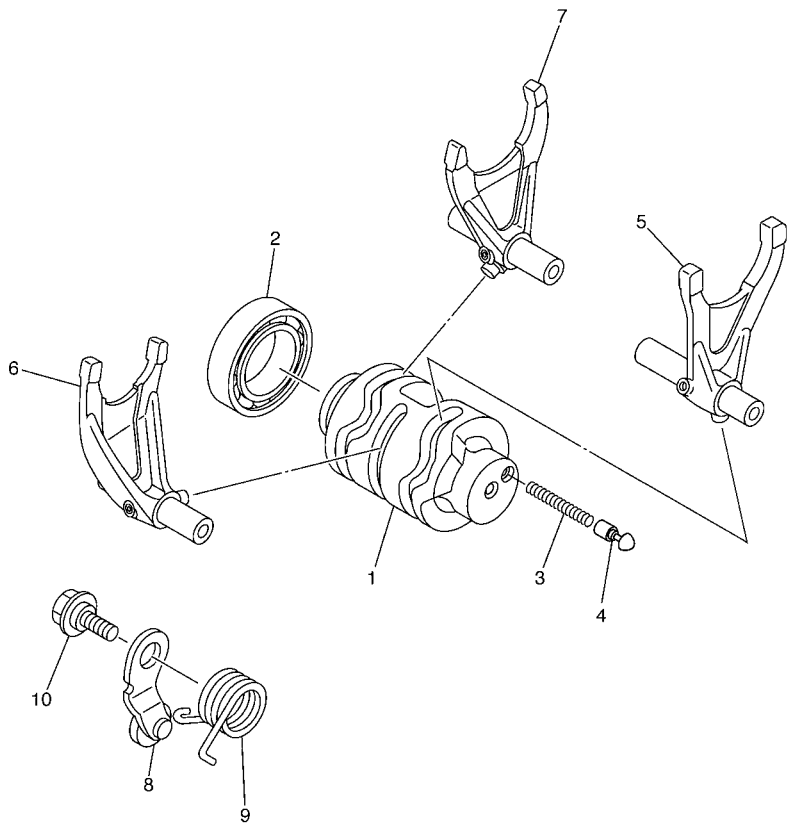


FIG. 18 TRANSMISSION

REF. NO.	PART NO.	DESCRIPTION	SUMB	SUMC	SUMD	REMARKS
27	90215-20003	WASHER, LOCK	1	1	1	
28	90179-18001	NUT	1	1	1	
29	5NL-17471-10	PLATE, COVER	1	1	1	
30	90105-06553	BOLT, FLANGE	2	2	2	

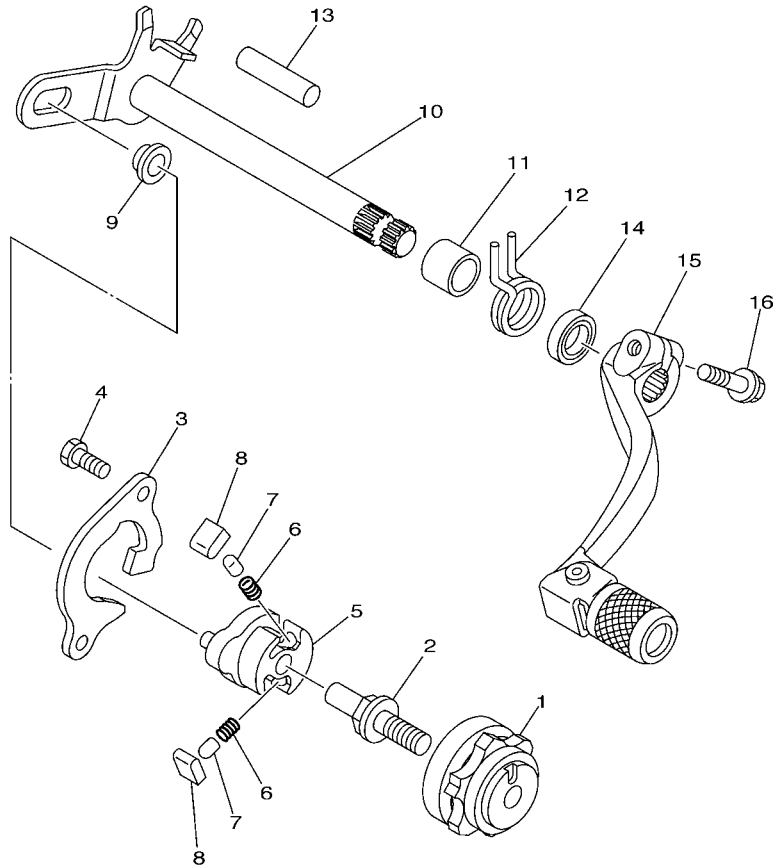
FIG. 19 SHIFT CAM & FORK



REF. NO.	PART NO.	DESCRIPTION	SUMB	SUMC	SUMD	REMARKS
1	5NL-18541-00	CAM, SHIFT	1	1	1	
2	93306-90501	BEARING	1	1	1	
3	90501-06022	SPRING, COMPRESSION	1	1	1	
4	4UN-18542-00	POINT, NEUTRAL	1	1	1	
5	5NL-18501-00	FORK, SHIFT 1	1	1	1	
6	5NL-18502-00	FORK, SHIFT 2	1	1	1	
7	5NL-18503-00	FORK, SHIFT 3	1	1	1	
8	3XK-18140-00	STOPPER LEVER ASSY	1	1	1	
9	90508-26561	SPRING, TORSION	1	1	1	
10	90109-063F8	BOLT	1	1	1	

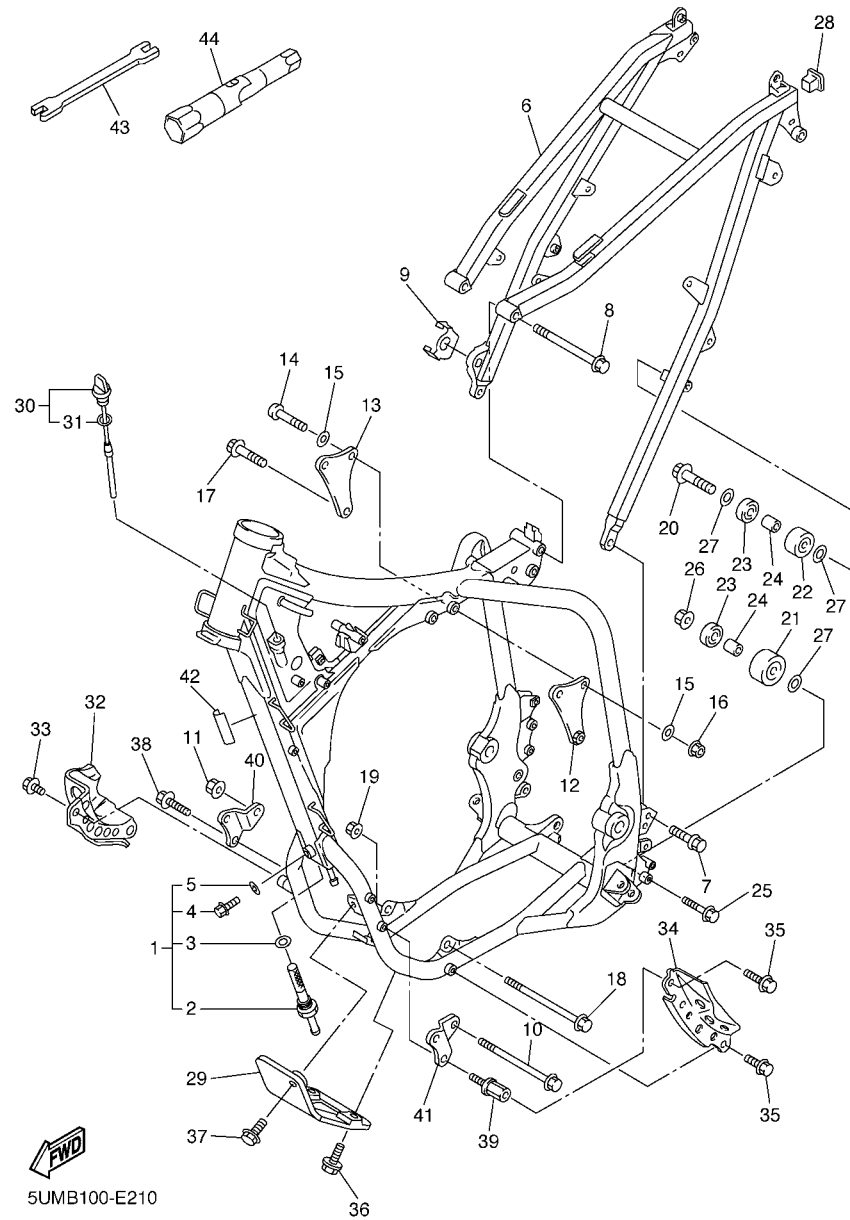

5UMB100-E190

FIG. 20 SHIFT SHAFT



5NL1100-1180

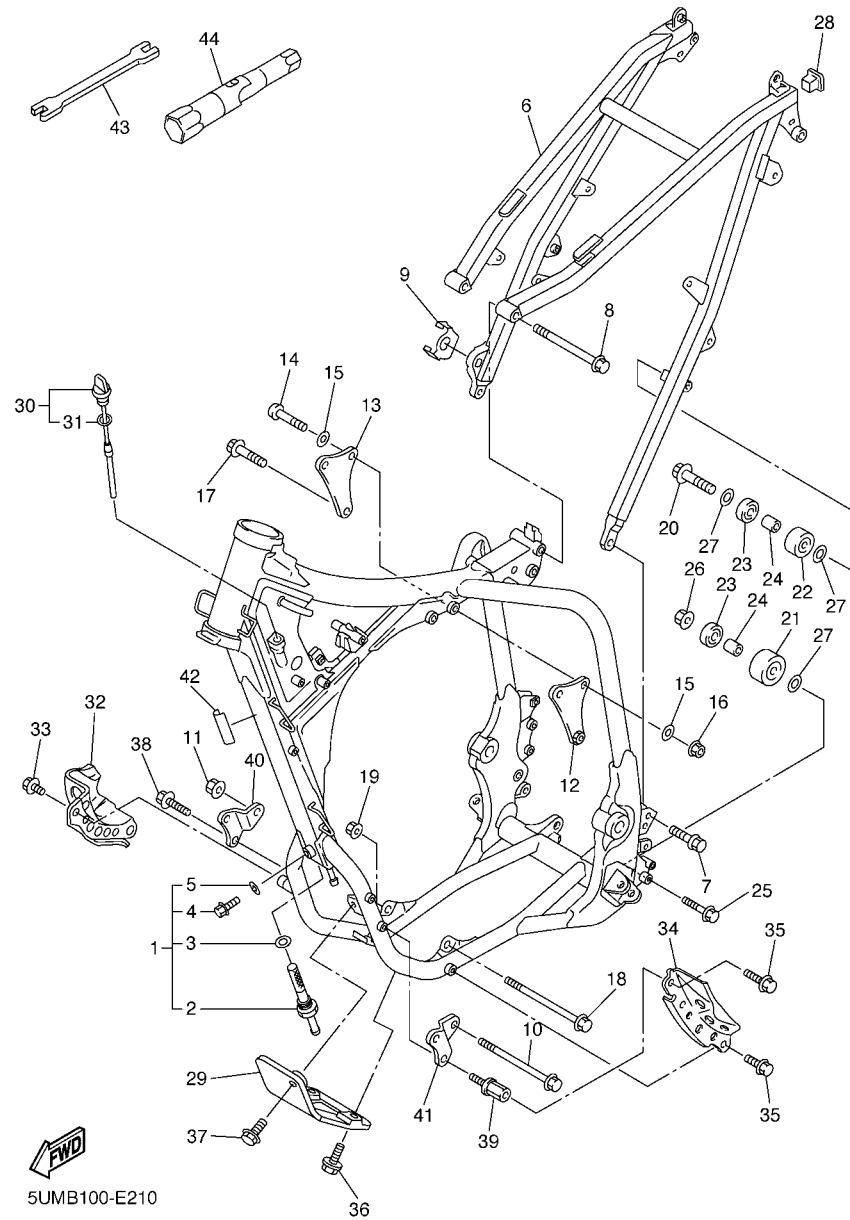
REF. NO.	PART NO.	DESCRIPTION	SUMB	SUMC	SUMD	REMARKS
1	4EW-18185-00	SEGMENT	1	1	1	
2	3XJ-18173-10	PIN, SHIFT	1	1	1	
3	5BE-18172-00	GUIDE, SHIFT	1	1	1	
4	90101-06041	BOLT	2	2	2	
5	5LP-18122-01	LEVER, SHIFT 2	1	1	1	
6	90501-052G5	SPRING, COMPRESSION	2	2	2	
7	3XJ-18184-00	PIN, PAWL	2	2	2	
8	3XJ-18182-00	PAWL, SHIFTER	2	2	2	
9	3XJ-18178-00	ROLLER, SHIFT LEVER	1	1	1	
10	5UL-18101-00	SHIFT SHAFT ASSY	1	1	1	
11	90387-124F4	COLLAR	1	1	1	
12	90508-291A8	SPRING, TORSION	1	1	1	
13	93608-33002	PIN, DOWEL	1	1	1	
14	93102-12224	OIL SEAL	1	1	1	
15	5UL-18110-00	SHIFT PEDAL ASSY	1	1	1	
16	95027-06020	BOLT, FLANGE	1	1	1	



5UMB100-E210

FIG. 21 FRAME

REF. NO.	PART NO.	DESCRIPTION	5UMB	5UMC	5UMD	REMARKS
1	5UM-21101-C0	FRONT FRAME COMP.	1	1	1	
2	5TA-21756-00	.NET, FILTER	1	1	1	
3	90201-145M4	.WASHER, PLATE	1	1	1	
4	95827-08012	.BOLT, FLANGE	1	1	1	
5	90430-08119	.GASKET	1	1	1	
6	5TJ-21190-80	REAR FRAME COMP.	1	1	1	
7	90105-08085	BOLT, FLANGE	2	2	2	
8	90105-08120	BOLT, FLANGE	1	1	1	
9	5XD-21455-60	PLATE, PATCH	1	1	1	
10	90105-10072	BOLT, FLANGE	1	1	1	
11	90179-10658	NUT	1	1	1	
12	5NL-21425-00	BRACKET, REAR UPPER 1	1	1	1	
13	5NL-21425-10	BRACKET, REAR UPPER 1	1	1	1	
14	92017-08055	BOLT, BUTTON HEAD	2	2	2	
15	90201-08043	WASHER, PLATE	4	4	4	
16	90179-08674	NUT	2	2	2	
17	95817-10050	BOLT, FLANGE	1	1	1	
18	90105-10733	BOLT, FLANGE	1	1	1	
19	90179-10658	NUT	1	1	1	
20	95027-08040	BOLT, FLANGE	1	1	1	
21	3JD-22178-20	TENSIONER	1	1	1	
22	4EW-22178-01	TENSIONER	1	1	1	
23	93300-60839	BEARING	2	2	2	
24	90387-086N4	COLLAR	2	2	2	
25	95024-08065	BOLT, FLANGE	1	1	1	
26	95707-08500	NUT, FLANGE	1	1	1	
27	90201-08043	WASHER, PLATE	3	3	3	



5UMB100-E210

FIG. 21 FRAME

REF. NO.	PART NO.	DESCRIPTION	5UMB	5UMC	5UMD	REMARKS
28	90338-18176	PLUG	1	1	1	
29	5NL-21471-01	PROTECTOR, ENGINE	1	1	1	
30	5UM-15362-00	PLUG, OIL LEVEL	1	1	1	
31	93210-08001	.O-RING	1	1	1	
32	5NL-2147A-00	GUARD, ENGINE 1	1	1	1	
33	95024-08012	BOLT, FLANGE	2	2	2	
34	5UM-2147A-00	GUARD, ENGINE 1	1	1	1	
35	95024-08012	BOLT, FLANGE	2	2	2	
36	95027-06012	BOLT, FLANGE	2	2	2	
37	90119-06001	BOLT, WITH WASHER	1	1	1	
38	95814-08016	BOLT, FLANGE	3	3	3	
39	5UM-21481-C0	BOLT, ENGINE MOUNTING 1	1	1	1	
40	5UL-21417-00	BRACKET, FRONT LOWER 1	1	1	1	
41	5UL-21417-10	BRACKET, FRONT LOWER 1	1	1	1	
42	5UM-2179C-00	PLATE, EPA	1			
43	5ET-28166-10	WRENCH, HEXAGON	1	1	1	
44	5TA-2814F-00	BOX, SPARK PLUG	1	1	1	

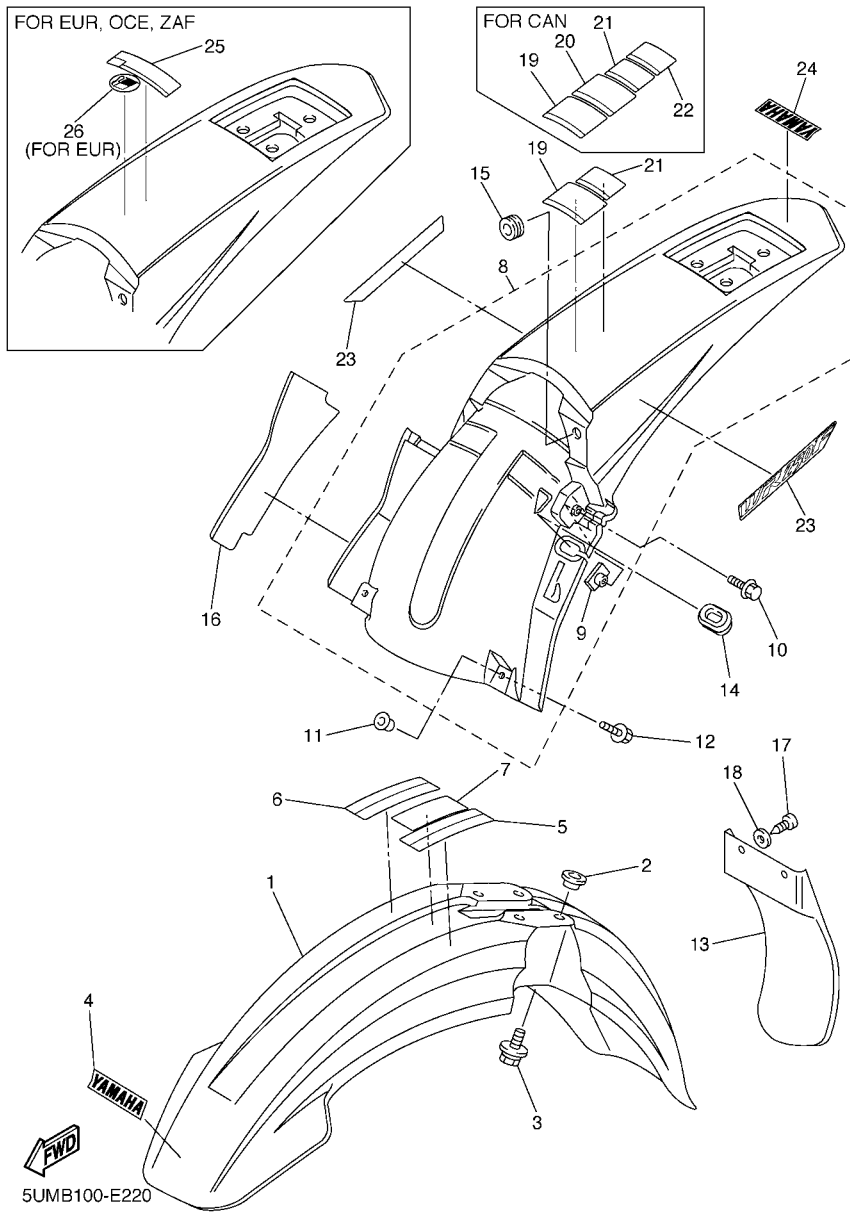
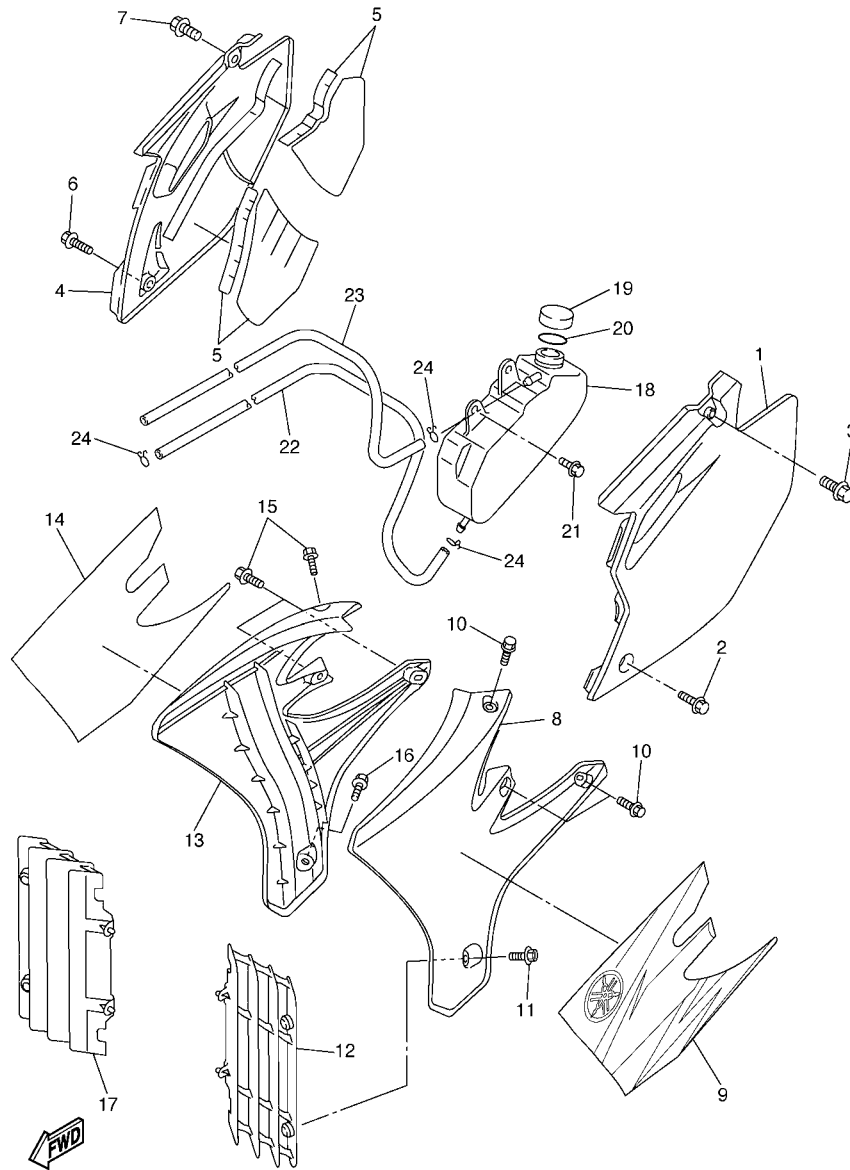


FIG. 22 FENDER

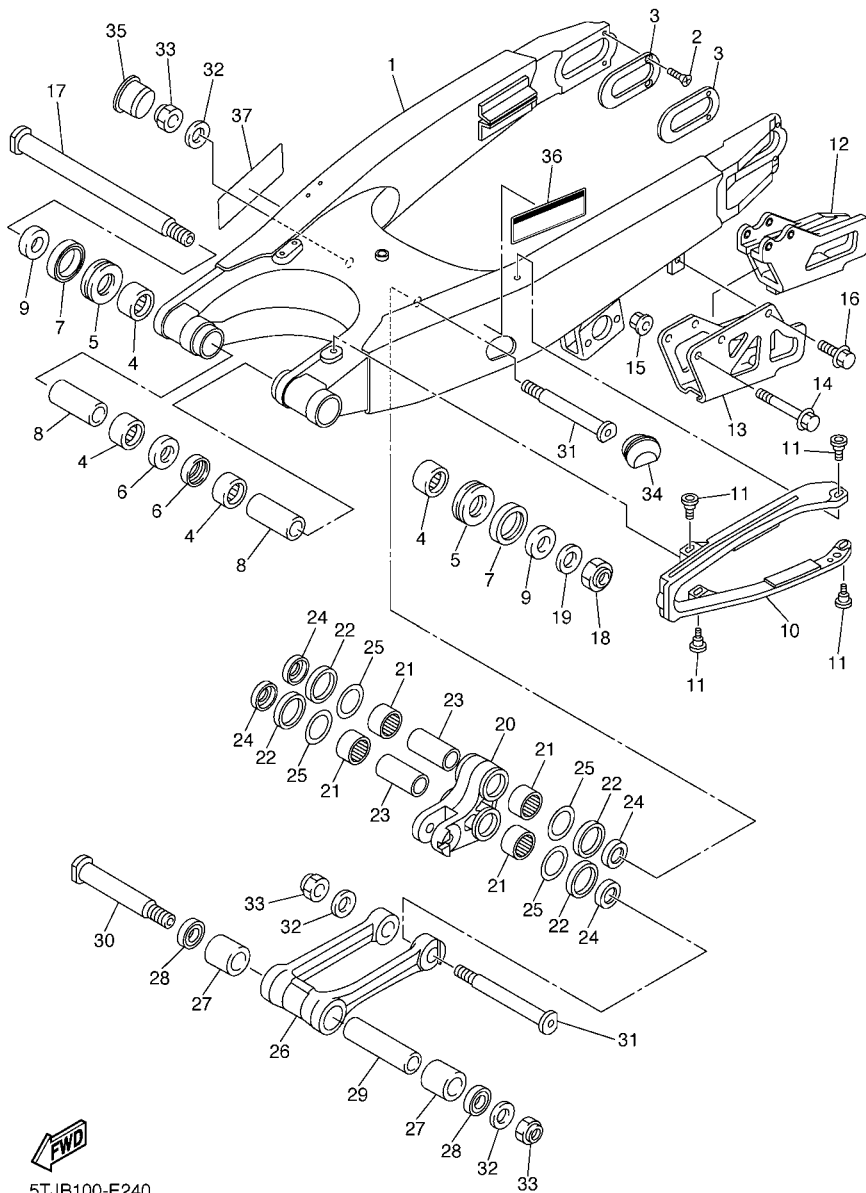
REF. NO.	PART NO.	DESCRIPTION	SUMB	SUMC	SUMD	REMARKS
1	1C3-21511-50	FENDER, FRONT	1	1	1	
2	90387-06090	COLLAR	4	4	4	
3	90119-06096	BOLT, WITH WASHER	4	4	4	
4	4ES-2153E-01	EMBLEM, YAMAHA	1	1	1	
5	3FB-2415E-01	LABEL, CAUTION	1		1	FOR USA,CAN
6	3FB-2415E-11	LABEL, CAUTION			1	FOR CAN
7	3PT-2416E-10	LABEL, CAUTION CANADA			1	FOR CAN
8	5TJ-21610-80	REAR FENDER COMP.	1	1	1	
9	5XD-21635-00	.NUT, REAR FENDER	2	2	2	
10	90119-06192	BOLT, WITH WASHER	2	2	2	
11	90387-06009	COLLAR	2	2	2	
12	90119-06225	BOLT, WITH WASHER	2	2	2	
13	5TA-21642-00	GUARD, FLAP	1	1	1	
14	90480-01512	GROMMET	1	1	1	
15	90480-14532	GROMMET	1	1	1	
16	5TA-2174T-00	INSULATOR, SIDE COVER 2	1	1	1	
17	97707-60016	SCREW, TAPPING	2	2	2	
18	90201-06557	WASHER, PLATE	2	2	2	
19	5PA-2118K-00	LABEL, CAUTION	1		1	FOR USA,CAN
20	5PA-2118K-10	LABEL, CAUTION			1	FOR CAN
21	3XJ-2151H-A1	LABEL 5	1		1	FOR USA,CAN
22	3XJ-2151H-B1	LABEL 5			1	FOR CAN
23	5UM-2163G-20	EMBLEM 1	2	2	2	
24	4ES-2153E-01	EMBLEM, YAMAHA	1	1	1	
25	5PA-21568-00	LABEL, WARNING			1	FOR EUR,OCE,ZAF
26	3ME-2415E-01	LABEL, CAUTION			1	FOR EUR



5TJB100-E230

FIG. 23 SIDE COVER

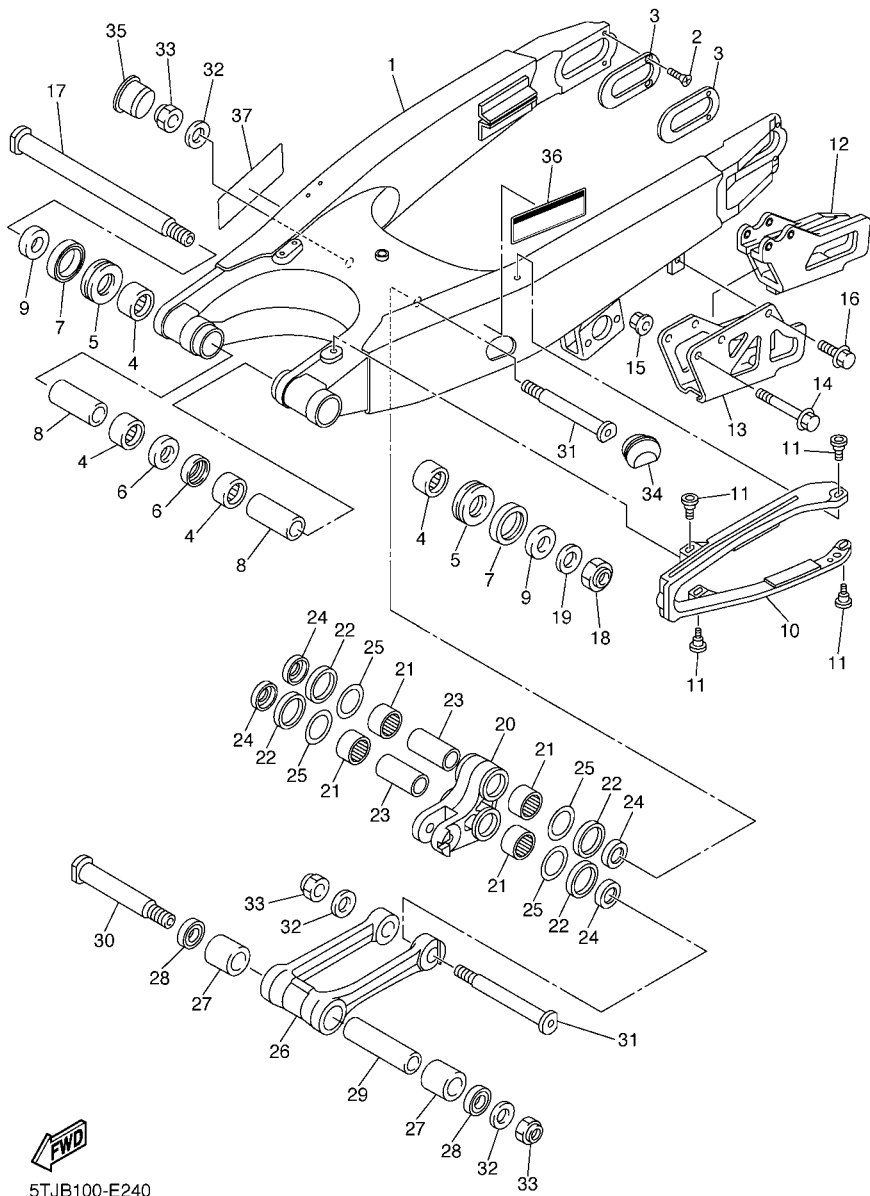
REF. NO.	PART NO.	DESCRIPTION	SUMB	SUMC	SUMD	REMARKS
1	5TJ-21711-80	COVER, SIDE 1	1	1	1	
2	95824-06016	BOLT, FLANGE	1	1	1	
3	90119-08086	BOLT, WITH WASHER	1	1	1	
4	5TJ-21721-00	COVER, SIDE 2	1	1	1	
5	5TJ-2174A-00	INSULATOR, SIDE COVER	1	1	1	
6	95824-06016	BOLT, FLANGE	1	1	1	
7	90119-08086	BOLT, WITH WASHER	1	1	1	
8	5TA-21730-00	SIDE COVER ASSY 3	1	1	1	
9	5TJ-2173E-20	GRAPHIC 1	1	1	1	
10	90105-06064	BOLT, FLANGE	3	3	3	
11	90159-06021	SCREW, WITH WASHER	1	1	1	
12	5NL-2172A-11	PANEL 1	1	1	1	
13	5TA-21740-00	SIDE COVER ASSY 4	1	1	1	
14	5TJ-2173F-20	GRAPHIC 2	1	1	1	
15	90105-06064	BOLT, FLANGE	3	3	3	
16	90159-06021	SCREW, WITH WASHER	1	1	1	
17	5NL-2172A-11	PANEL 1	1	1	1	
18	5GS-21871-00	TANK, RECOVERY	1	1	1	
19	26H-21875-00	CAP	1	1	1	
20	26H-21874-00	GASKET	1	1	1	
21	90119-06051	BOLT, WITH WASHER	2	2	2	
22	91A20-05140	TUBE, FLEXIBLE VINYL	1	1	1	
23	91A11-05125	TUBE, FLEXIBLE	1	1	1	
24	90467-09006	CLIP	3	3	3	



5TJB100-E240

FIG. 24 REAR ARM

REF. NO.	PART NO.	DESCRIPTION	SUMB	SUMC	SUMD	REMARKS
1	1C3-22110-50	REAR ARM COMP.	1	1	1	
2	90151-04001	SCREW, COUNTERSUNK	4	4	4	
3	1P8-22355-00	PATCH	2	2	2	
4	93317-22262	BEARING	4	4	4	
5	93342-22217	BEARING	2	2	2	
6	93106-22002	OIL SEAL	2	2	2	
7	93109-28043	OIL SEAL	2	2	2	
8	90387-18004	COLLAR	2	2	2	
9	90387-18011	COLLAR	2	2	2	
10	1C3-22151-00	SEAL, GUARD	1	1	1	
11	1C3-22969-50	SCREW, 1	4	4	4	
12	5UM-22199-00	SUPPORT, CHAIN	1	1	1	
13	5UM-22128-00	COVER, THRUST 1	1	1	1	
14	95024-06050	BOLT, FLANGE	2	2	2	
15	90179-06028	NUT	2	2	2	
16	95024-06010	BOLT, FLANGE	1	1	1	
17	5XD-22141-50	SHAFT, PIVOT	1	1	1	
18	90185-16002	NUT, SELF-LOCKING	1	1	1	
19	90201-16018	WASHER, PLATE	1	1	1	
20	1C3-2217A-00	ARM, RELAY	1	1	1	
21	93315-32166	BEARING	4	4	4	
22	93109-25001	OIL SEAL	4	4	4	
23	90387-16010	COLLAR	2	2	2	
24	90209-16011	WASHER	4	4	4	
25	90201-21014	WASHER, PLATE	4	4	4	
26	1C3-2217F-50	ROD, CONNECTING 1	1	1	1	
27	93315-32166	BEARING	2	2	2	

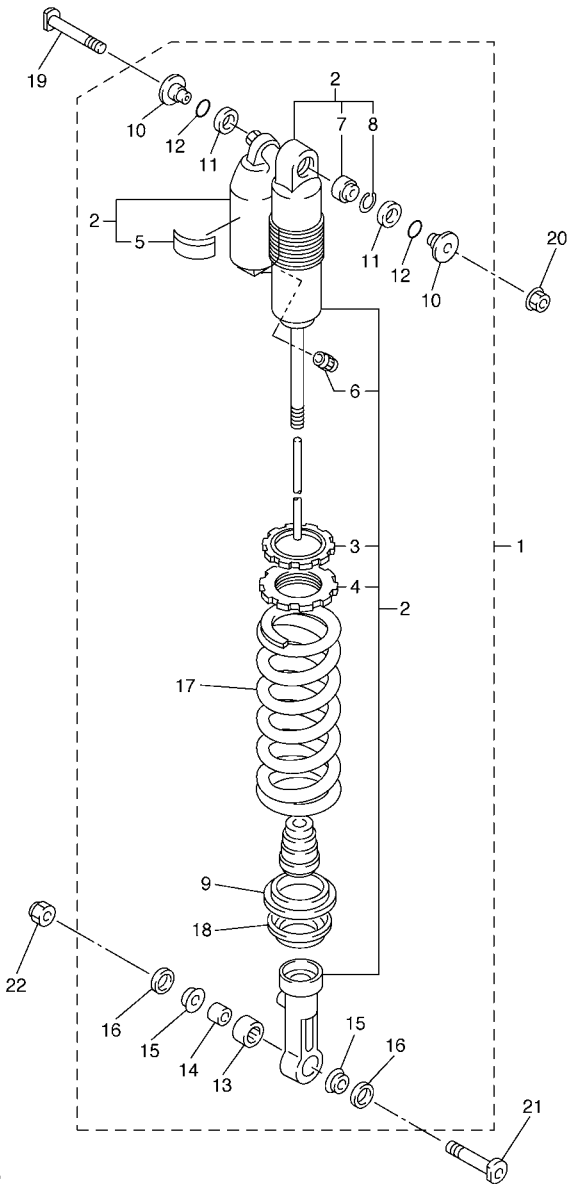


5TJB100-E240

FIG. 24 REAR ARM

REF. NO.	PART NO.	DESCRIPTION	SUMB	SUMC	SUMD	REMARKS
28	93109-21001	OIL SEAL	2	2	2	
29	90387-14006	COLLAR	1	1	1	
30	5XD-22121-50	SHAFT 1	1	1	1	
31	1C3-22122-00	SHAFT 2	2	2	2	
32	90201-14740	WASHER, PLATE	3	3	3	
33	90185-14007	NUT, SELF-LOCKING	3	3	3	
34	1C3-2135F-00	COVER	1	1	1	
35	1C3-2139R-00	COVER 2	1	1	1	
36	3RV-21668-A0	LABEL, TIRE	1	1	1	
37	N/A					

D9

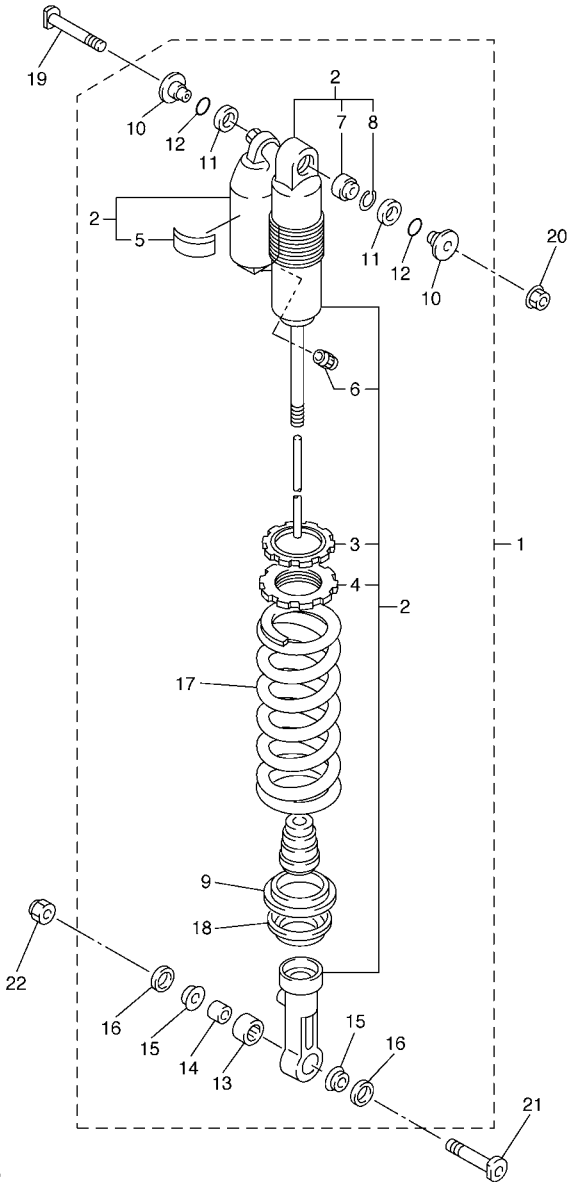


5XD1100-C230

FIG. 25 REAR SUSPENSION

REF. NO.	PART NO.	DESCRIPTION	SUMB	SUMC	SUMD	REMARKS
1	5UM-22210-D0	SHOCK ABSORBER ASSY, REAR			1	
2	5UM-22201-D0	.DAMPER SUB ASSY			1	
3	3SP-22234-00	..GUIDE, SPRING 3	1	1	1	
4	3SP-22213-00	..SEAT, SPRING UPPER	1	1	1	
5	4AA-22259-40	..LABEL, WARNING			1	
6	509-23184-L0	..CAP, AIR VALVE	1	1	1	
7	4JX-22226-00	..BUSH, SHOCK ABSORBER LOWER	1	1	1	
8	5DH-23183-00	..CIRCLIP	1	1	1	
9	5MV-22224-00	.GUIDE, SPRING 2	1	1	1	
10	1C3-22253-00	.COLLAR, DISTANCE	2	2	2	
11	3JE-22475-00	.SEAL, DUST	2	2	2	
12	4EW-22474-00	.SEAL, RING	2	2	2	
13	5UN-22176-00	.BEARING	1	1	1	
14	5MV-22184-00	.BUSH	1	1	1	
15	5MV-22253-00	.COLLAR, DISTANCE	2	2	2	
16	5NY-22475-00	.SEAL, DUST	2	2	2	
17	5UN-22212-50	.SPRING (K=50N/MM)			1	

D10

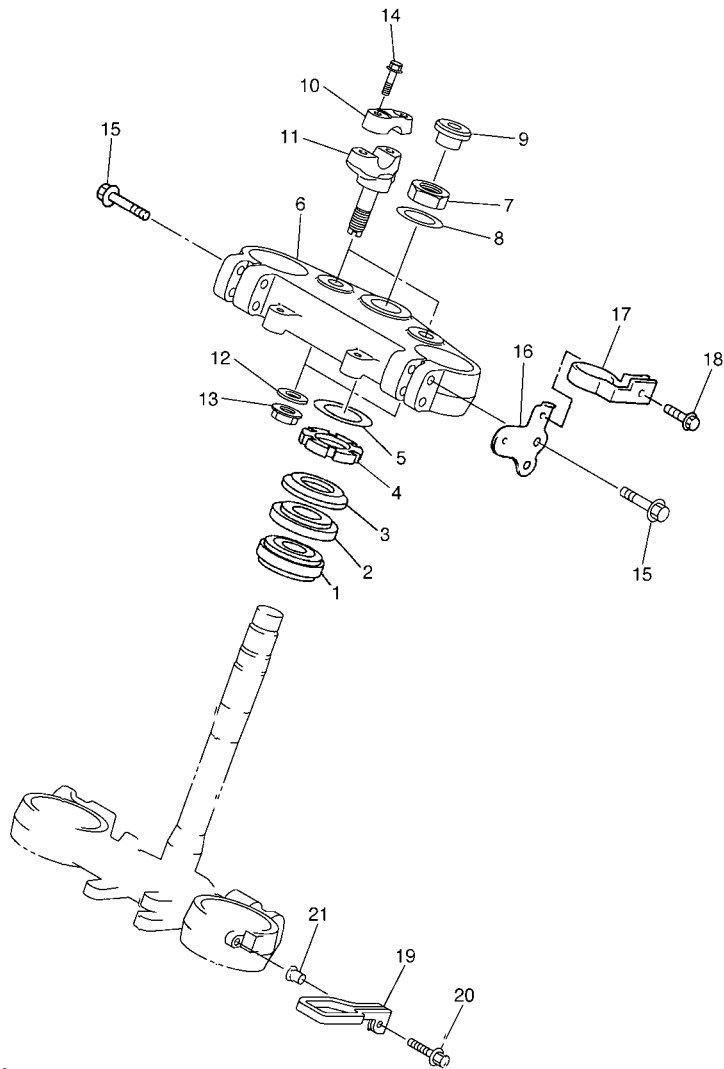


FWD
5XD1100-C230

FIG. 25 REAR SUSPENSION

REF. NO.	PART NO.	DESCRIPTION	SUMB	SUMC	SUMD	REMARKS
18	5XE-22214-00	.GUIDE, SPRING 1	1	1	1	
19	5XE-22242-00	BOLT 2	1	1	1	
20	95607-10200	NUT, U FLANGE	1	1	1	
21	5NY-22241-00	BOLT 1	1	1	1	
22	90185-10060	NUT, SELF-LOCKING	1	1	1	

FIG. 26 STEERING



REF. NO.	PART NO.	DESCRIPTION	SUMB	SUMC	SUMD	REMARKS
1	93332-00081	BEARING	1	1	1	
2	93332-00068	BEARING	1	1	1	
3	4EW-23416-00	COVER, BALL RACE 2	1	1	1	
4	90179-28003	NUT	1	1	1	
5	90201-286K9	WASHER, PLATE	1	1	1	
6	5TJ-23435-C0	CROWN, HANDLE	1	1	1	
7	90170-24003	NUT	1	1	1	
8	90201-24016	WASHER, PLATE	1	1	1	
9	5TJ-2319U-00	CAP	1	1	1	
10	1C3-23441-50	HOLDER, HANDLE UPPER	2	2	2	
11	1C3-23442-50	HOLDER, HANDLE LOWER	2	2	2	
12	90201-12027	WASHER, PLATE	2	2	2	
13	95602-12200	NUT, SELF-LOCKING	2	2	2	
14	95024-08035	BOLT, FLANGE	4	4	4	
15	95024-08040	BOLT, FLANGE	4	4	4	
16	5TJ-2831V-80	STAY, HEAD LIGHT 1	1	1	1	
17	5TJ-2331E-80	GUIDE, CABLE	1	1	1	
18	90105-05016	BOLT, FLANGE	1	1	1	
19	5TJ-23389-80	GUIDE, CABLE	1	1	1	
20	95024-06020	BOLT, FLANGE	1	1	1	
21	90387-06104	COLLAR	1	1	1	



5TJB100-E260

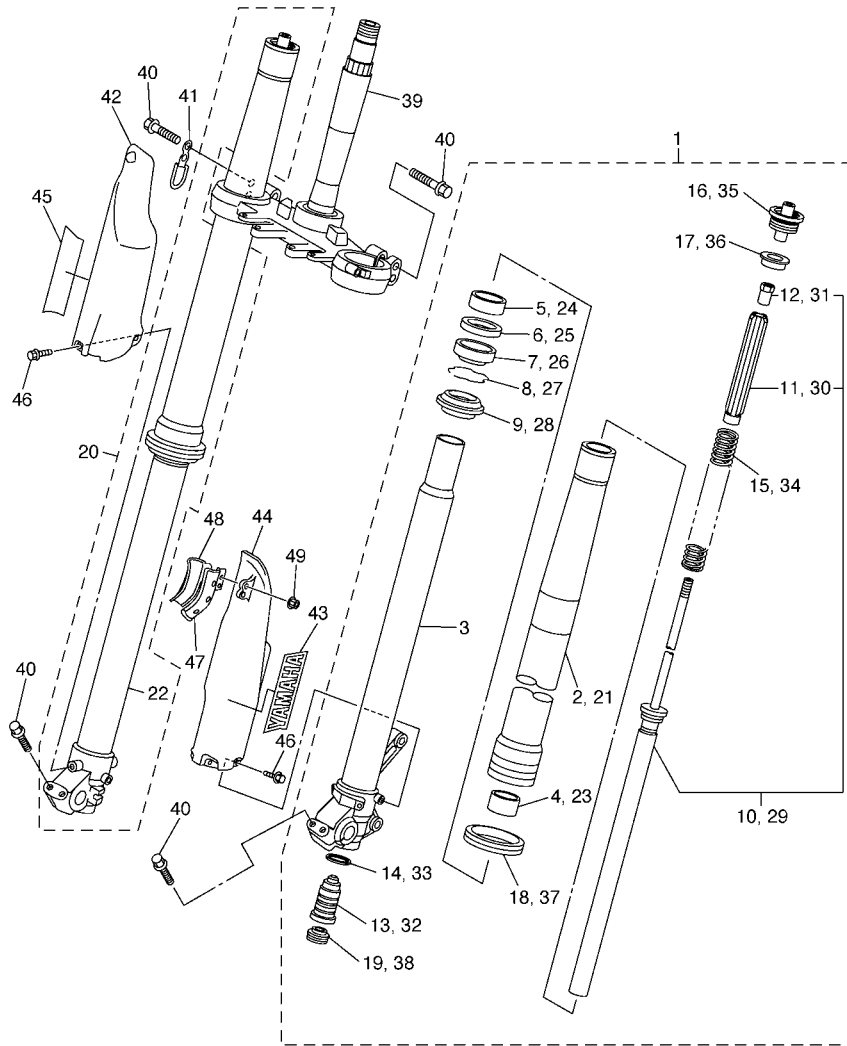


FIG. 27 FRONT FORK

REF. NO.	PART NO.	DESCRIPTION	SUMB	SUMC	SUMD	REMARKS
1	5UM-23102-D0	FRONT FORK ASSY (L.H)			1	
2	5TJ-23136-C0	.TUBE, OUTER (RIGHT)	1	1	1	
3	5TJ-23120-C0	.INNER TUBE COMP.2	1	1	1	
4	5XE-23171-L0	.PISTON, FRONT FORK	1	1	1	
5	5XE-23125-L0	.METAL, SLIDE 1	1	1	1	
6	5XE-23146-L0	.WASHER, OIL SEAL	1	1	1	
7	1C3-23145-L0	.OIL SEAL	1	1	1	
8	5XE-23153-L0	.RING, SNAP	1	1	1	
9	5XE-23144-L0	.SEAL, DUST	1	1	1	
10	5TJ-23170-B0	.CYLINDER COMP., FRONT FORK	1		1	
11	5XE-23142-L0	..SEAT, SPRING UPPER	1	1	1	
12	5XE-23393-L0	..NUT, SPECIAL	1	1	1	
13	5TJ-2316A-D0	.VALVE COMP.			1	
14	4SS-23158-L0	.GASKET	1	1	1	
15	5UM-23141-A0	.SPRING,FRONT FORK(K=4.2N/MM)			1	
16	5XE-23111-L0	.BOLT, CAP	1	1	1	
17	5XE-23117-L0	.GUIDE, SPRING	1	1	1	
18	1C3-2314F-M0	.PROTECTOR GUIDE COMP., 1	1	1	1	
19	3JD-2312G-L0	.PLUG	1	1	1	



5TJB100-E270

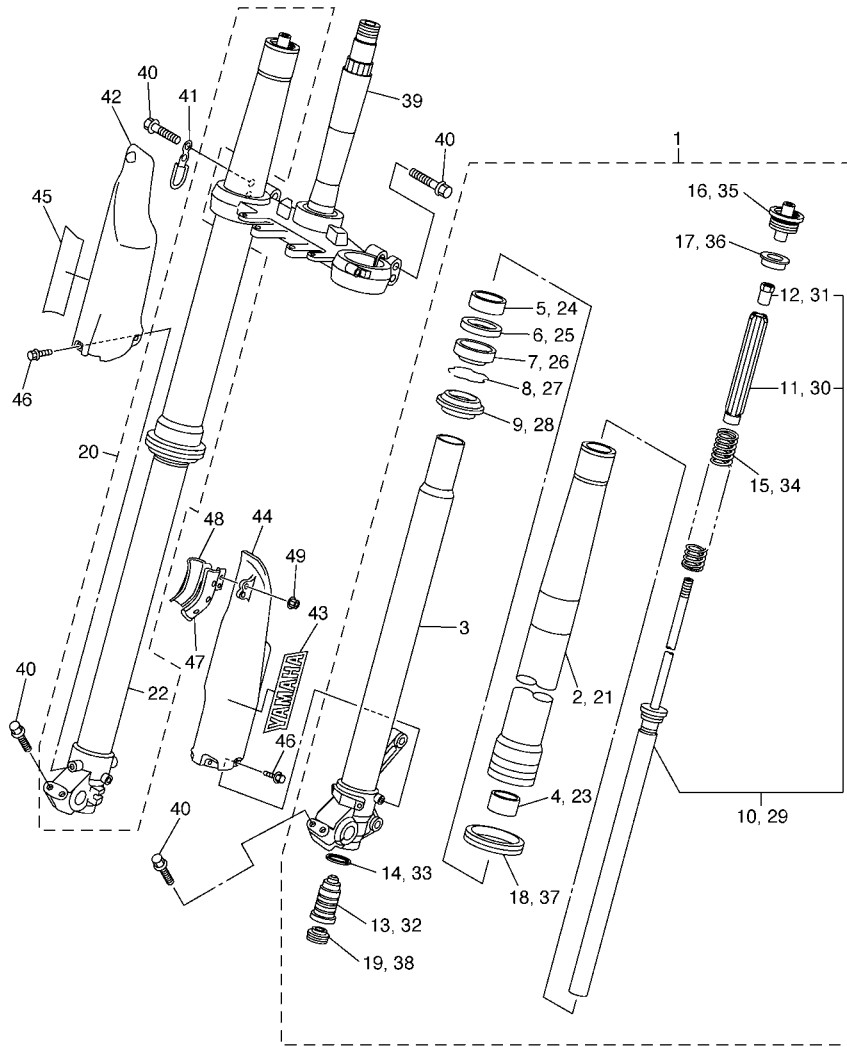


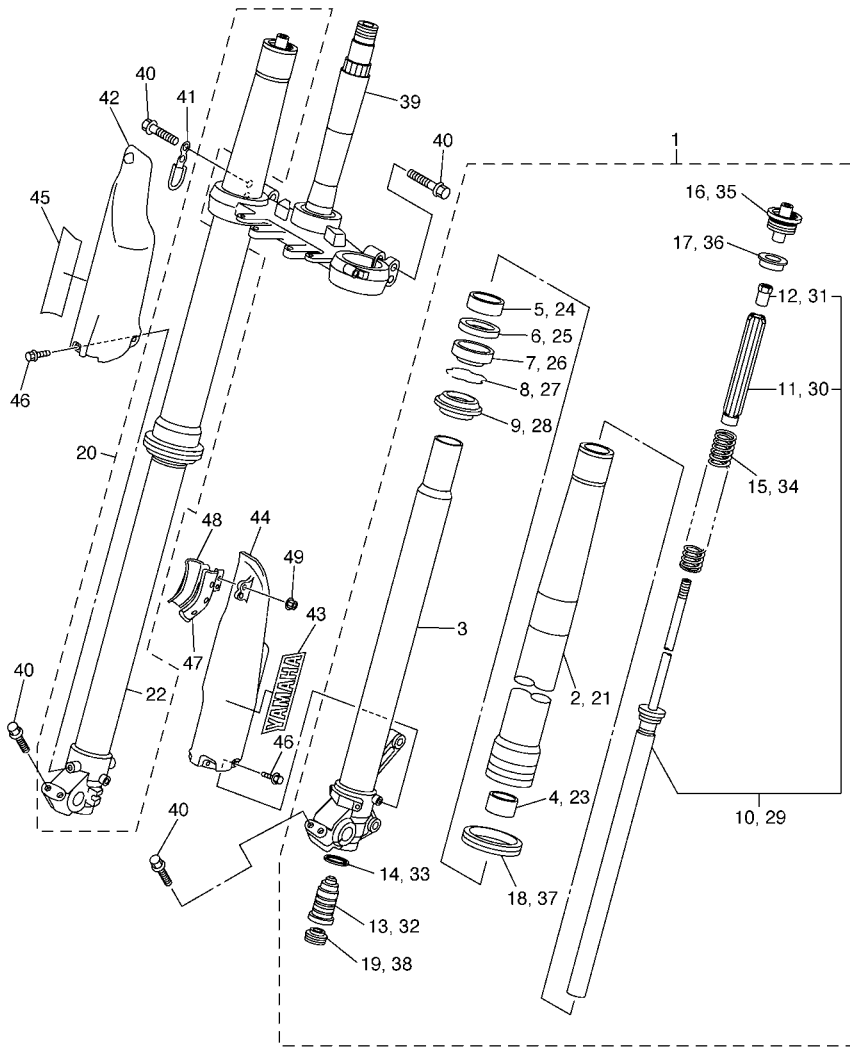
FIG. 27 FRONT FORK

REF. NO.	PART NO.	DESCRIPTION	SUMB	SUMC	SUMD	REMARKS
20	5UM-23103-D0	FRONT FORK ASSY (R.H)			1	
21	5TJ-23136-C0	.TUBE, OUTER (RIGHT)	1	1	1	
22	5TJ-23110-C0	.INNER TUBE COMP.1	1	1	1	
23	5XE-23171-L0	.PISTON, FRONT FORK	1	1	1	
24	5XE-23125-L0	.METAL, SLIDE 1	1	1	1	
25	5XE-23146-L0	.WASHER, OIL SEAL	1	1	1	
26	1C3-23145-L0	.OIL SEAL	1	1	1	
27	5XE-23153-L0	.RING, SNAP	1	1	1	
28	5XE-23144-L0	.SEAL, DUST	1	1	1	
29	5TJ-23170-B0	.CYLINDER COMP., FRONT FORK	1		1	
30	5XE-23142-L0	..SEAT, SPRING UPPER	1	1	1	
31	5XE-23393-L0	..NUT, SPECIAL	1	1	1	
32	5TJ-2316A-D0	.VALVE COMP.			1	
33	4SS-23158-L0	.GASKET	1	1	1	
34	5UM-23141-A0	.SPRING,FRONT FORK(K=4.2N/MM)			1	
35	5XE-23111-L0	.BOLT, CAP	1	1	1	
36	5XE-23117-L0	.GUIDE, SPRING	1	1	1	
37	1C3-2314F-M0	.PROTECTOR GUIDE COMP, 1	1	1	1	
38	3JD-2312G-L0	.PLUG	1	1	1	
39	5TJ-23340-C0	UNDER BRACKET COMP.	1	1	1	
40	95024-08040	BOLT, FLANGE	8	8	8	
41	5TJ-23525-C0	GUIDE	1	1	1	
42	5TJ-2315J-C0	PROTECTOR 2	1	1	1	



5TJB100-E270

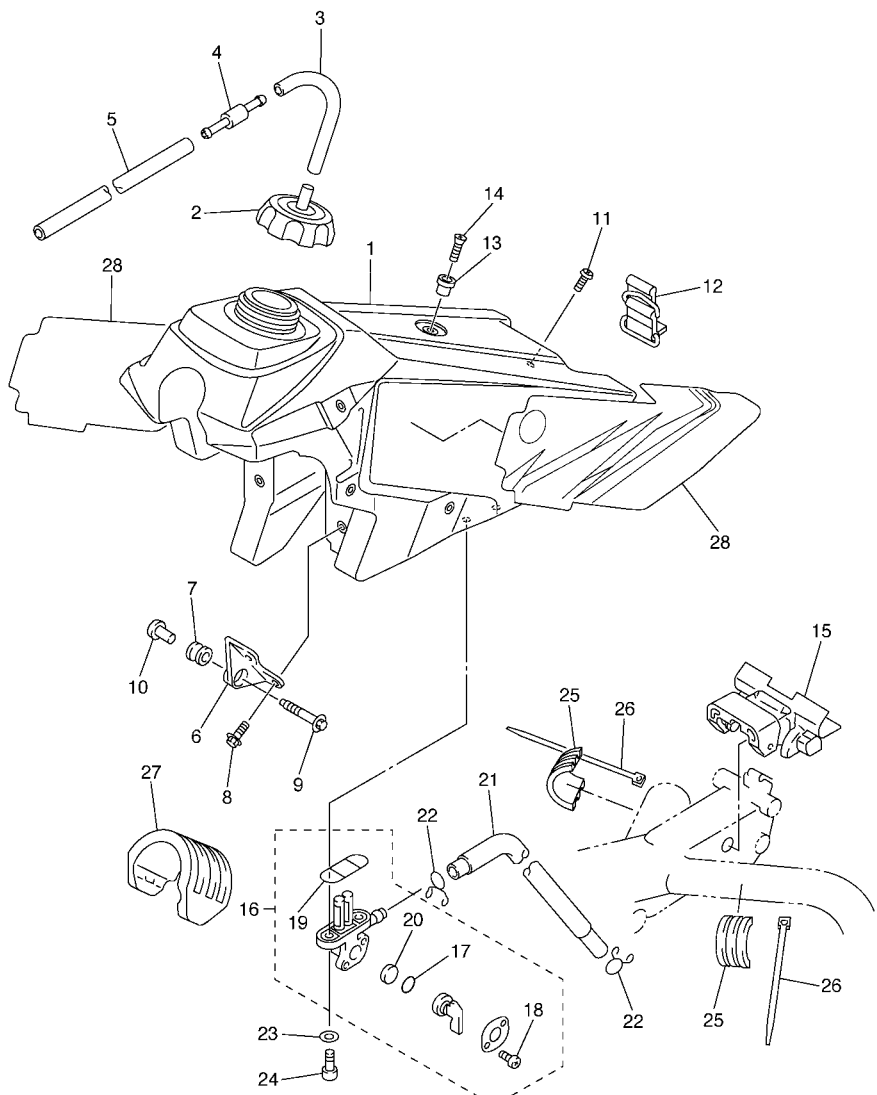
FIG. 27 FRONT FORK



5TJB100-E270

REF. NO.	PART NO.	DESCRIPTION	SUMB	SUMC	SUMD	REMARKS
43	4XL-2153A-10	EMBLEM, YAMAHA	1	1	1	
44	1C3-2315H-10	PROTECTOR 1	1	1	1	
45	4XL-2153A-10	EMBLEM, YAMAHA	1	1	1	
46	3SP-23356-L0	BOLT 2	6	6	6	
47	1C3-23466-50	CLAMP	1	1	1	
48	1C3-23467-50	CLAMP	1	1	1	
49	95702-06500	NUT, FLANGE	2	2	2	

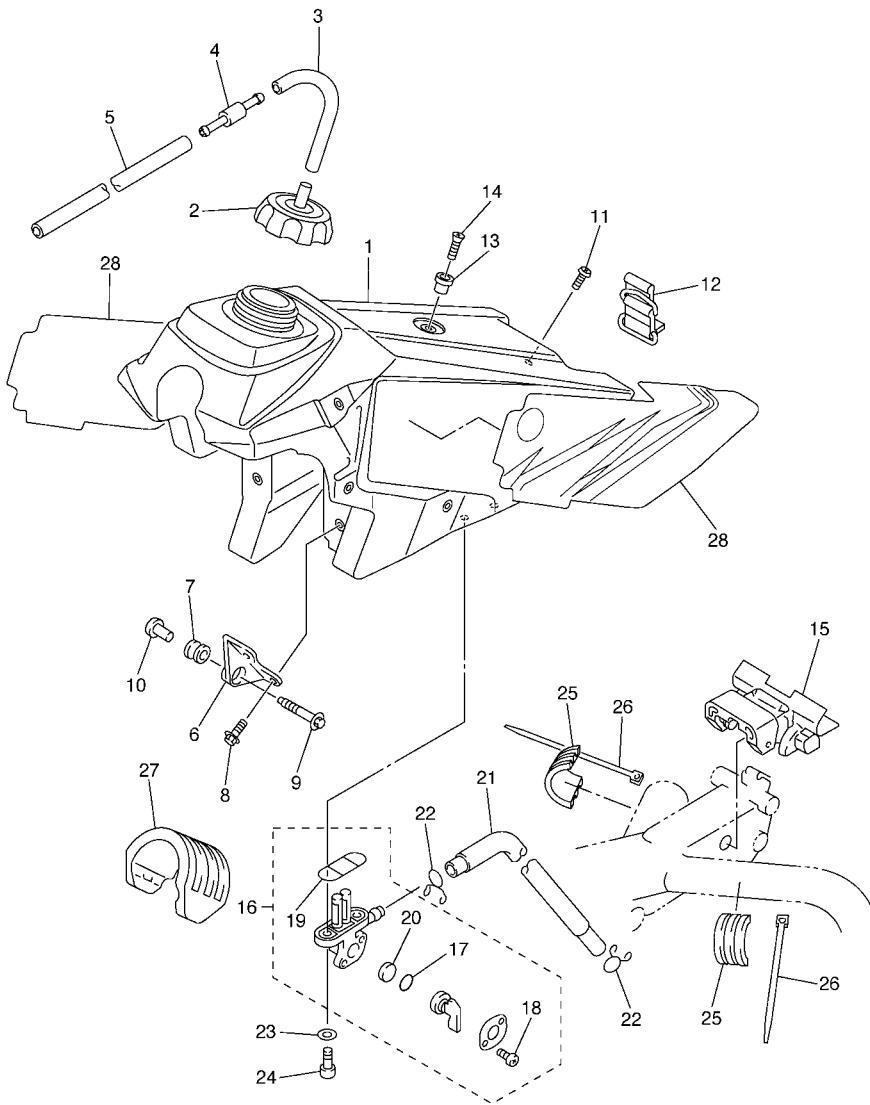
FIG. 28 FUEL TANK



5TJB100-E280

REF. NO.	PART NO.	DESCRIPTION	SUMB	SUMC	SUMD	REMARKS
1	5TJ-24110-C0	FUEL TANK COMP.	1	1	1	
2	5NY-24610-00	CAP ASSY	1	1	1	
3	90445-09220	HOSE (L30)	1	1	1	
4	3XJ-24380-00	PIPE JOINT ASSY	1	1	1	
5	90445-09100	HOSE	1	1	1	
6	5XE-24144-00	HOLDER, DAMPER	2	2	2	
7	90480-18549	GROMMET	2	2	2	
8	95027-06016	BOLT, FLANGE	4	4	4	
9	5XE-24176-00	BOLT 1	2	2	2	
10	5NY-24186-00	WASHER, SPECIAL	2	2	2	
11	98907-06025	SCREW, BIND	1	1	1	
12	5SF-24173-00	BAND, TANK FITTING 1	1	1	1	
13	4EW-2412F-00	BRACKET, SEAT	1	1	1	
14	98707-06025	SCREW, FLAT HEAD	1	1	1	
15	5TJ-24181-00	DAMPER, LOCATING 1	1	1	1	
16	2GU-24500-02	FUEL COCK ASSY 1	1	1	1	
17	3AJ-24534-01	.SEAL, COCK	1	1	1	
18	98507-03008	.SCREW, PAN HEAD	2	2	2	
19	4X8-24512-00	.O-RING	1	1	1	
20	3AC-24523-00	.VALVE PACKING	1	1	1	
21	90445-11185	HOSE	1	1	1	
22	90467-100A1	CLIP	2	2	2	
23	90202-05193	WASHER, PLATE	2	2	2	
24	90149-06011	SCREW	2	2	2	
25	5NY-24183-00	DAMPER, LOCATING 3	2	2	2	
26	90465-13152	CLAMP	2	2	2	
27	5BE-24182-00	DAMPER, LOCATING 2	1	1	1	

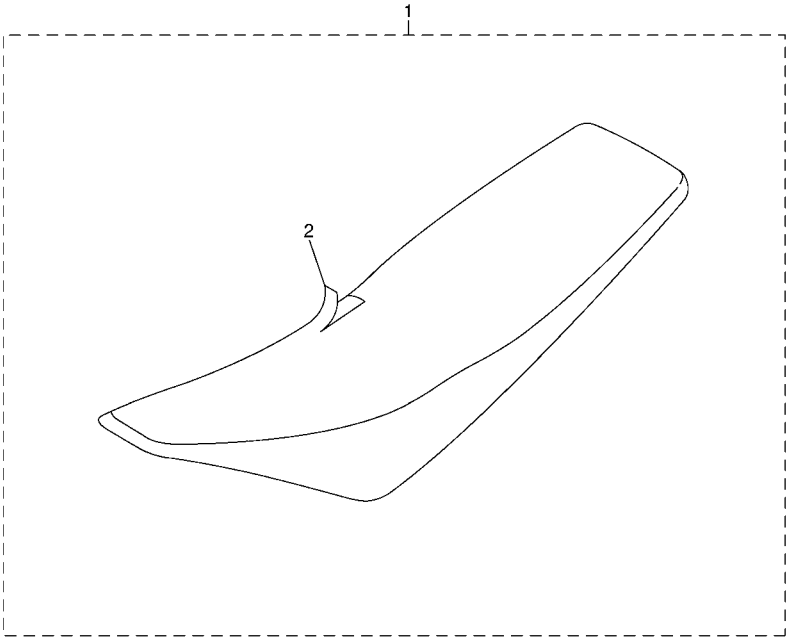
FIG. 28 FUEL TANK



5TJB100-E280

REF. NO.	PART NO.	DESCRIPTION	SUMB	SUMC	SUMD	REMARKS
28	5TJ-24240-30	GRAPHIC SET	1	1	1	

FIG. 29 SEAT

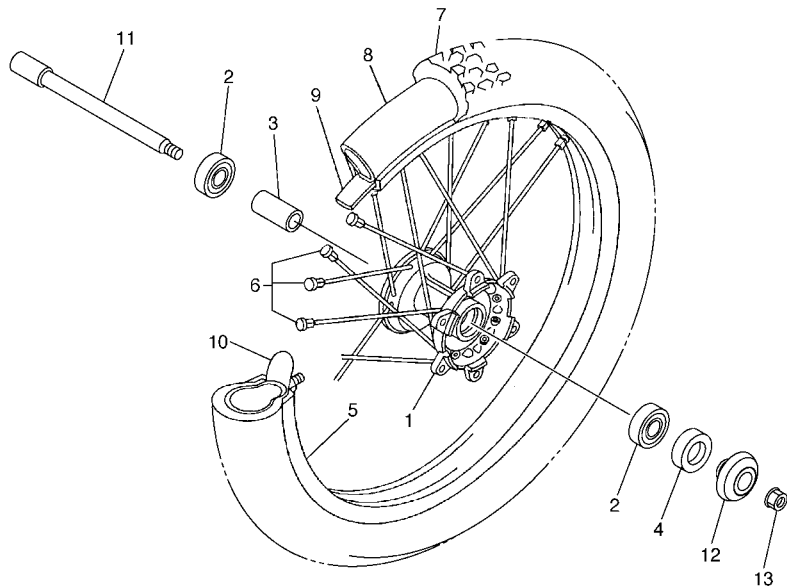


REF. NO.	PART NO.	DESCRIPTION	SUMB	SUMC	SUMD	REMARKS
1	5TJ-24710-C0	SINGLE SEAT ASSY	1	1	1	
2	5TJ-2470F-80	.SEAT COVER COMP.	1	1	1	



5XD1100-C270

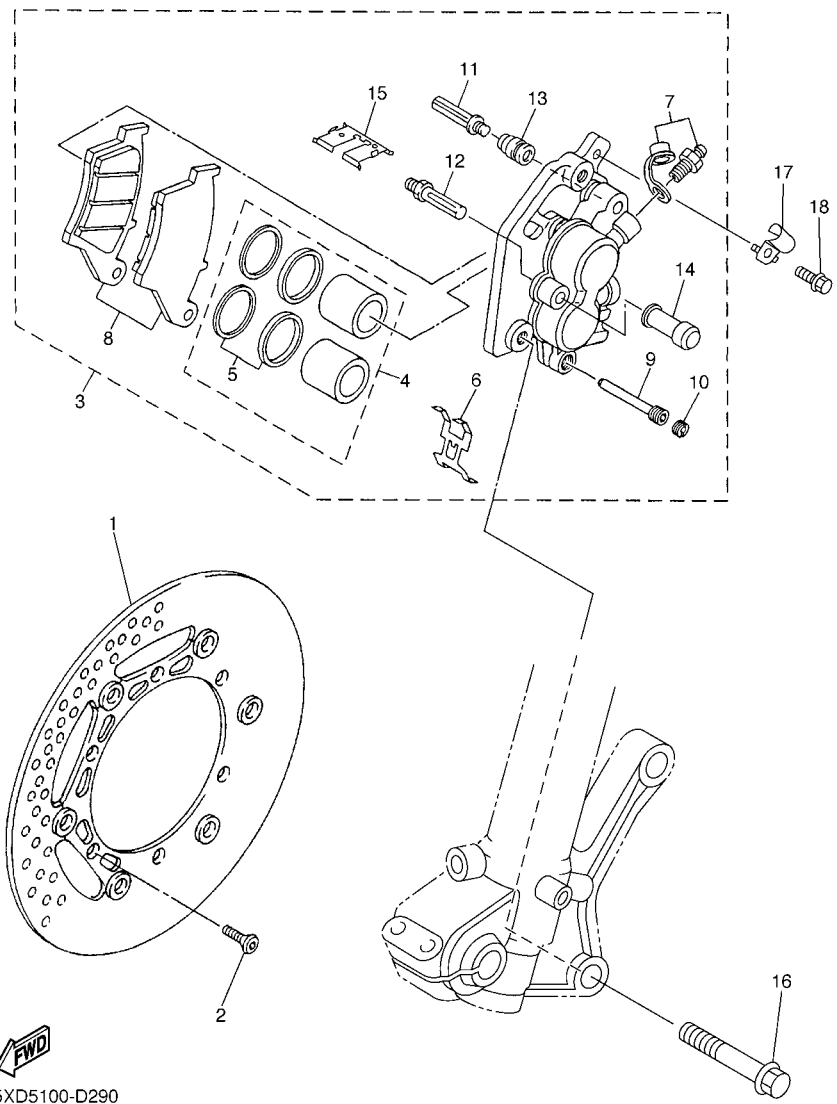
FIG. 30 FRONT WHEEL



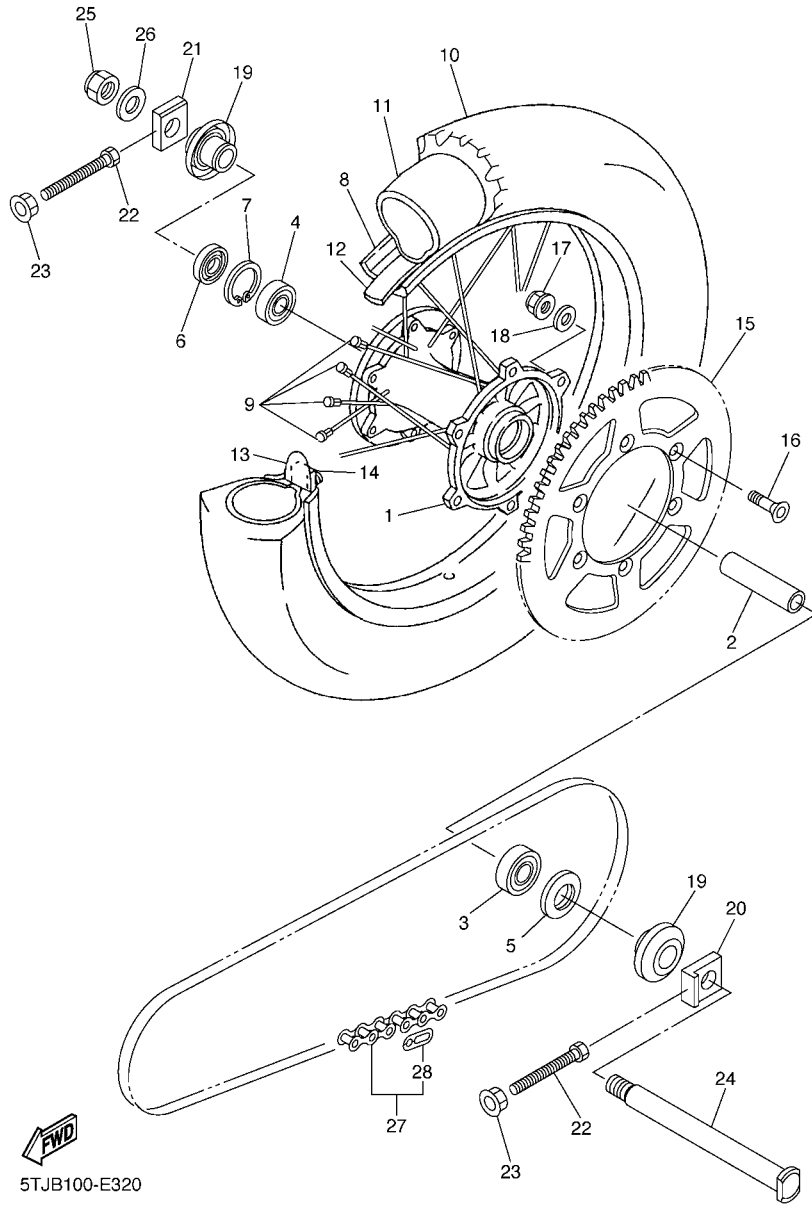
REF. NO.	PART NO.	DESCRIPTION	SUMB	SUMC	SUMD	REMARKS
1	5NG-25111-50	HUB, FRONT	1	1	1	
2	93306-90409	BEARING	2	2	2	
3	5NY-25117-00	SPACER, BEARING	1	1	1	
4	93102-26468	OIL SEAL	1	1	1	
5	94416-21005	RIM (1.60-21)	1	1	1	
6	5NY-25104-00	SPOKE SET, FRONT	1	1	1	
7	L.M.	TIRE (80/100-21 51M D739FA)			1	
8	L.M.	TUBE (80/100-21 M/C TR4)			1	
9	94309-21161	BAND, RIM (1.60-21)	1	1	1	DUNLOP
10	5SF-25394-00	SPACER, BEAD	1	1	1	
11	1C3-25181-10	AXLE, WHEEL	1	1	1	
12	5TJ-2510C-80	COLLAR ASSY.	1	1	1	
13	90179-16003	NUT	1	1	1	


5TJB100-E300

FIG. 31 FRONT BRAKE CALIPER



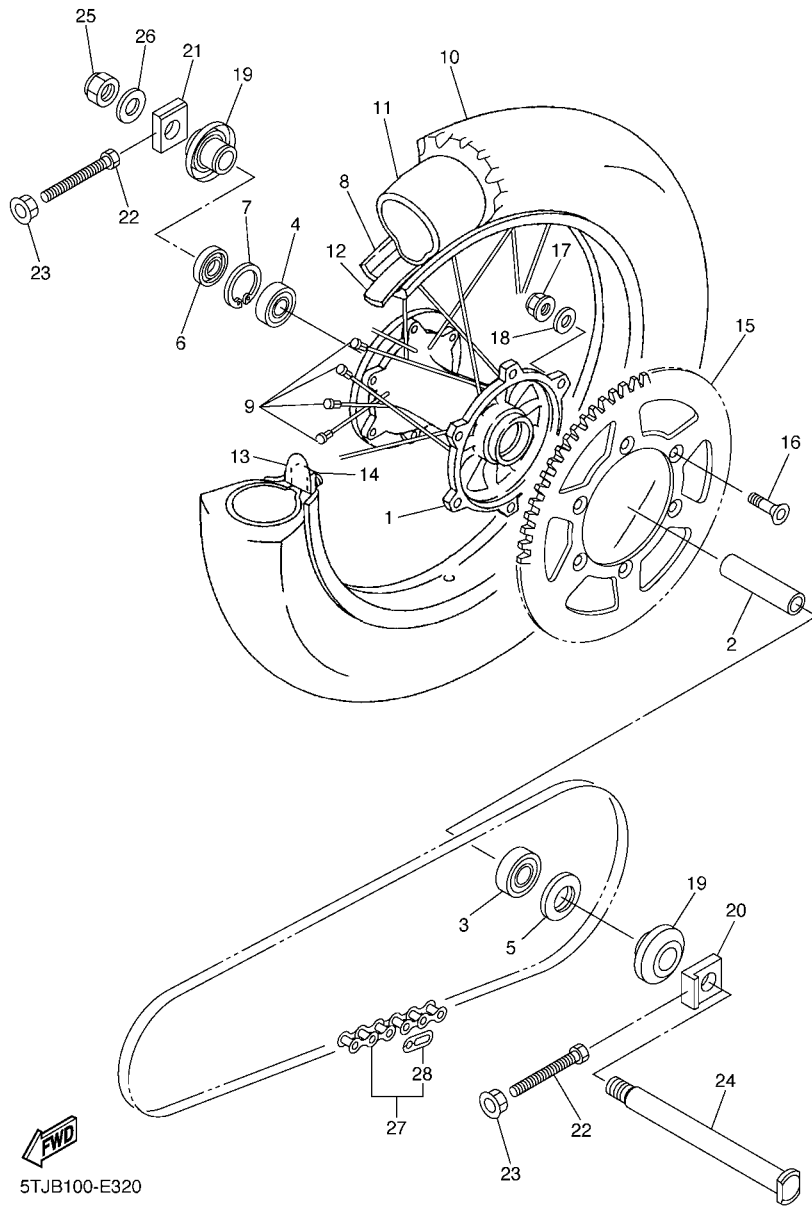
REF. NO.	PART NO.	DESCRIPTION	SUMB	SUMC	SUMD	REMARKS
1	5MV-2581T-00	DISK BRAKE ASSY	1	1	1	
2	90149-06327	SCREW	6	6	6	
3	1C3-2580T-00	CALIPER ASSY (LEFT)	1	1	1	
4	5UN-W0057-00	.PISTON ASSY, CALIPER	1	1	1	
5	3JD-W0047-00	..CALIPER SEAL KIT	1	1	1	
6	5DH-25919-00	.SUPPORT, PAD	1	1	1	
7	1UY-W0048-50	.BLEED SCREW KIT	1	1	1	
8	5MV-W0045-01	.BRAKE PAD KIT	1	1	1	
9	5DH-25933-00	.PIN, PAD	1	1	1	
10	5DH-25916-00	.PLUG	1	1	1	
11	3SP-25926-51	.BOLT	1	1	1	
12	3SP-25914-51	.PIN, SLIDE	1	1	1	
13	3JD-25917-00	.BOOT, CALIPER	1	1	1	
14	1UY-25937-51	.BOOT 2	1	1	1	
15	5DH-25849-00	.RETAINER, CALIPER	1	1	1	
16	90105-08077	BOLT, FLANGE	2	2	2	
17	1C3-25875-50	HOLDER, BRAKE HOSE 1	1	1	1	
18	95024-06010	BOLT, FLANGE	1	1	1	



5TJB100-E320

FIG. 32 REAR WHEEL

REF. NO.	PART NO.	DESCRIPTION	SUMB	SUMC	SUMD	REMARKS
1	5ET-25311-00	HUB, REAR	1	1	1	
2	5ET-25317-00	SPACER, BEARING	1	1	1	
3	93306-27212	BEARING	1	1	1	
4	93306-07202	BEARING	1	1	1	
5	93106-30001	OIL SEAL	1	1	1	
6	93106-30045	OIL SEAL	1	1	1	
7	99009-45500	CIRCLIP	1	1	1	
8	94418-18006	RIM (1.85-18)	1	1	1	UR FOR CAN,ZAF
9	5GS-25304-00	SPOKE SET, REAR	1	1	1	
10	L.M.	TIRE (100/100-18 59M D756)			1	
11	L.M.	TUBE (100/100-18 M/C TR4)			1	
12	94309-18146	BAND, RIM (2.15-18)	1	1	1	DUNLOP
13	4XM-25394-00	SPACER, BEAD	2	2	2	
14	4XM-25364-00	DAMPER	2	2	2	
15	5TJ-25452-80	SPROCKET, DRIVEN (52T)	1	1	1	STD FOR ZAF
	1C3-25452-00	SPROCKET, DRIVEN (52T)			1	STD FOR OCE
	5GS-25448-50	SPROCKET, DRIVEN (48T)	1	1	1	AP FOR ZAF
	5TJ-25450-80	SPROCKET, DRIVEN (50T)	1	1	1	AP FOR CAN,ZAF
	5PH-25454-50	SPROCKET, DRIVEN (54T)	1	1	1	AP FOR CAN,ZAF
	1C3-25448-00	SPROCKET, DRIVEN (48T)			1	AP FOR OCE
	1C3-25449-00	SPROCKET, DRIVEN (49T)			1	AP FOR OCE
	1C3-25450-00	SPROCKET, DRIVEN (50T)			1	AP FOR OCE
	1C3-25451-00	SPROCKET, DRIVEN (51T)			1	AP FOR OCE



5TJB100-E320

FIG. 32 REAR WHEEL

REF. NO.	PART NO.	DESCRIPTION	SUMB	SUMC	SUMD	REMARKS
16	90109-08078	BOLT	6	6	6	
17	90185-08008	NUT, SELF-LOCKING	6	6	6	
18	90201-08048	WASHER, PLATE	6	6	6	
19	5TJ-2530S-80	COLLAR ASSY	2	2	2	
20	1C3-25388-50	PULLER, CHAIN 1	1	1	1	
21	1C3-25389-00	PULLER, CHAIN 2	1	1	1	
22	90101-08006	BOLT	2	2	2	
23	90179-08656	NUT	2	2	2	
24	1C3-25381-10	AXLE, WHEEL	1	1	1	
25	90185-20002	NUT, SELF-LOCKING	1	1	1	
26	90201-20020	WASHER, PLATE	1	1	1	
27	9Y58A-76113	CHAIN (DID 520VM-114LL)	1	1	1	
28	94681-76021	JOINT, CHAIN	1	1	1	

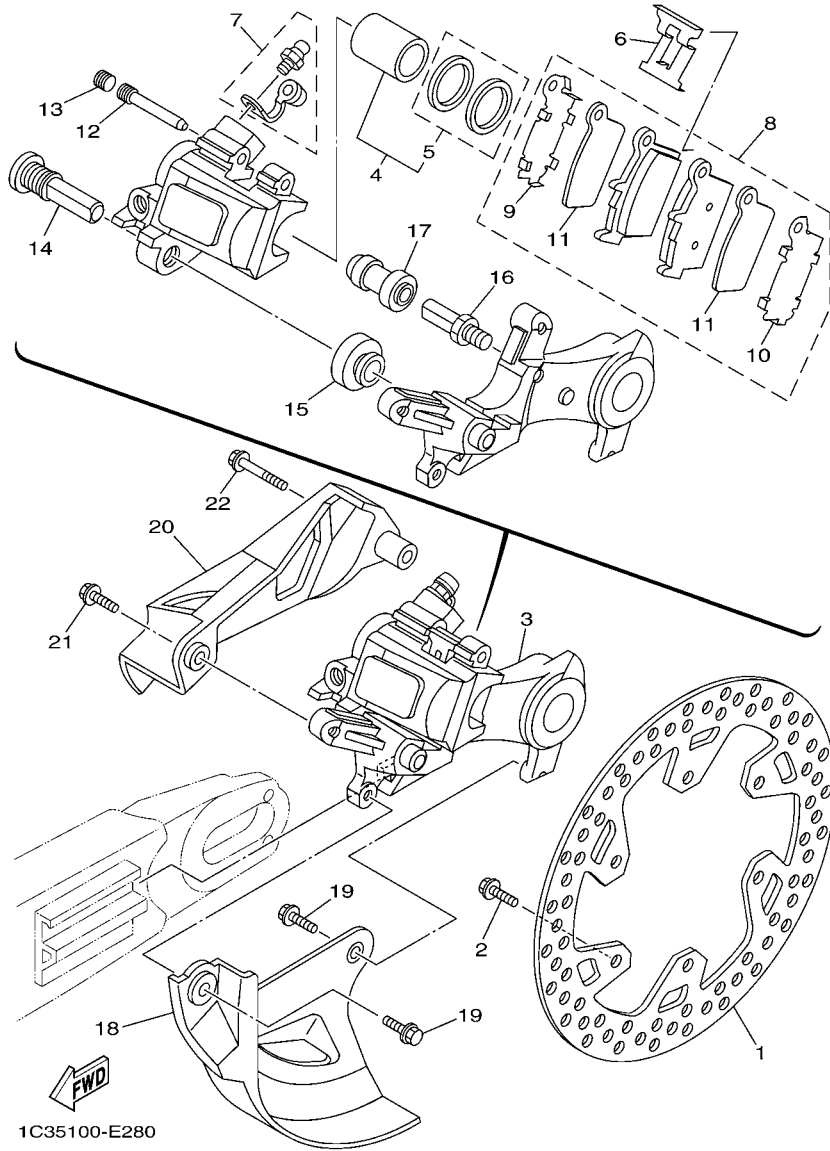
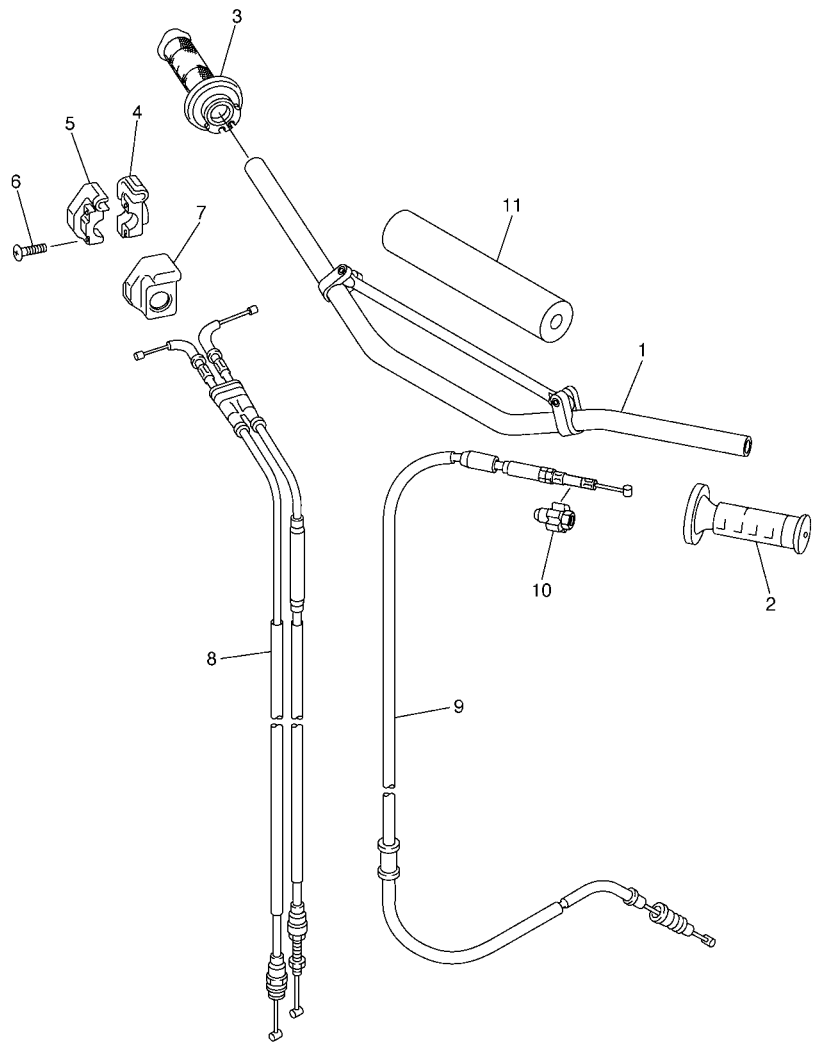


FIG. 33 REAR BRAKE CALIPER

REF. NO.	PART NO.	DESCRIPTION	SUMB	SUMC	SUMD	REMARKS
1	5NY-2582W-00	DISK, REAR BRAKE 2	1	1	1	
2	90109-065G4	BOLT	6	6	6	
3	1C3-2580W-70	CALIPER ASSY, REAR 2	1	1	1	
4	5UN-W0057-50	.PISTON ASSY, CALIPER	1	1	1	
5	5UN-W0047-50	..CALIPER SEAL KIT	1	1	1	
6	5DH-25919-50	..SUPPORT, PAD	1	1	1	
7	1UY-W0048-50	.BLEED SCREW KIT	1	1	1	
8	1C3-W0046-B0	.BRAKE PAD KIT 2	1	1	1	
9	5UN-25828-60	..SHIM, CALIPER	1	1	1	
10	5UN-25827-60	..SHIM, CALIPER	1	1	1	
11	5UN-22898-60	..INSULATOR, HEAT	2	2	2	
12	8CR-25924-00	.PIN, PAD	1	1	1	
13	5DH-25916-00	.PLUG	1	1	1	
14	5DH-25914-50	.PIN, SLIDE	1	1	1	
15	3JD-25917-00	.BOOT, CALIPER	1	1	1	
16	5UN-25914-00	.PIN, SLIDE	1	1	1	
17	1UY-25937-51	.BOOT 2	1	1	1	
18	1C3-25718-50	PROTECTOR, DISK BRAKE	1	1	1	
19	95022-06012	BOLT, FLANGE	2	2	2	
20	1C3-27491-50	PROTECTOR	1	1	1	
21	95024-06016	BOLT, FLANGE	1	1	1	
22	95024-06030	BOLT, FLANGE	1	1	1	

FIG. 34 STEERING HANDLE & CABLE

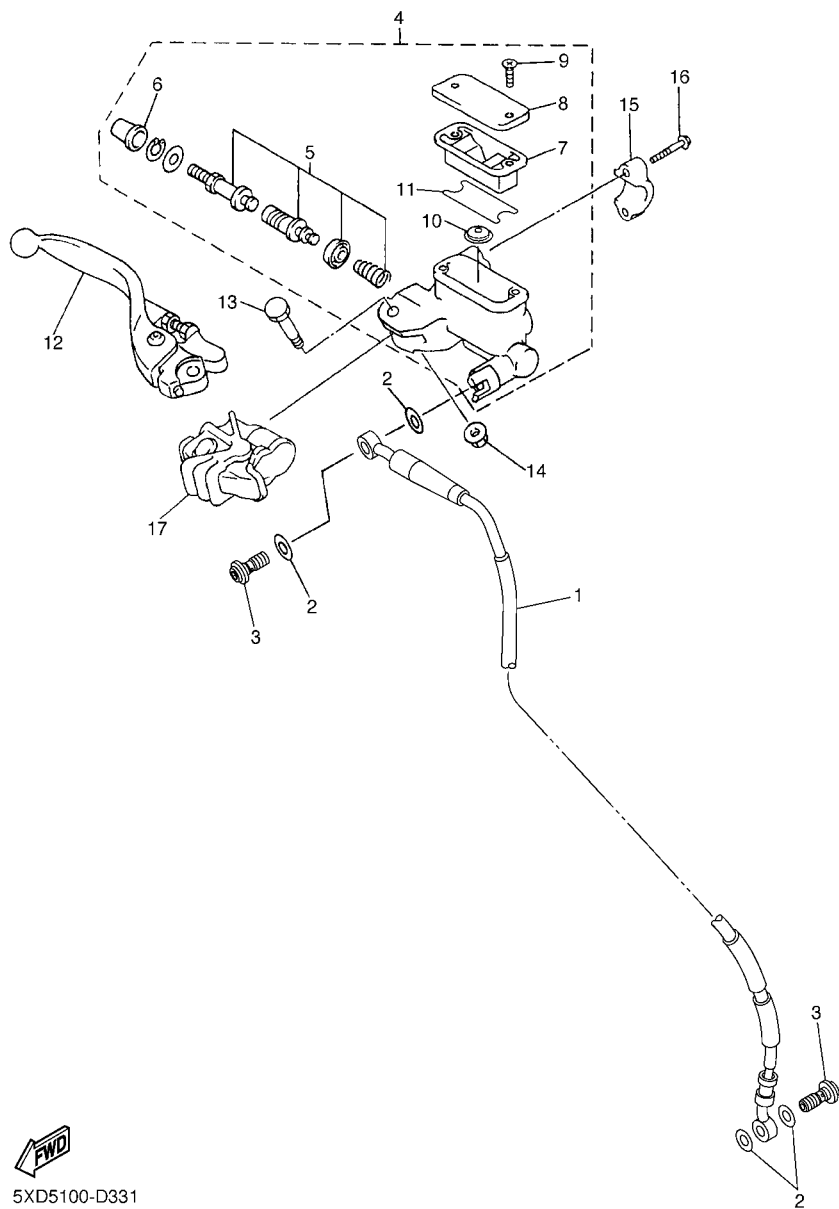


REF. NO.	PART NO.	DESCRIPTION	SUMB	SUMC	SUMD	REMARKS
1	1C3-26111-00	HANDLEBAR	1	1	1	
2	4GY-26241-00	GRIP	1	1	1	
3	5TJ-26240-C0	GRIP ASSY	1	1	1	
4	5BE-26281-00	CAP, GRIP UPPER	1	1	1	
5	5BE-26282-00	CAP, GRIP LOWER	1	1	1	
6	98507-05020	SCREW, PAN HEAD	2	2	2	
7	5SF-26287-10	COVER, CAP GRIP	1	1	1	
8	5XD-26302-00	THROTTLE CABLE ASSY	1	1	1	
9	5UM-26335-80	CABLE, CLUTCH	1	1	1	
10	1C3-26342-50	BOOT, CABLE	1	1	1	
11	1C3-26124-00	PROTECTOR, HANDLEBAR	1	1	1	



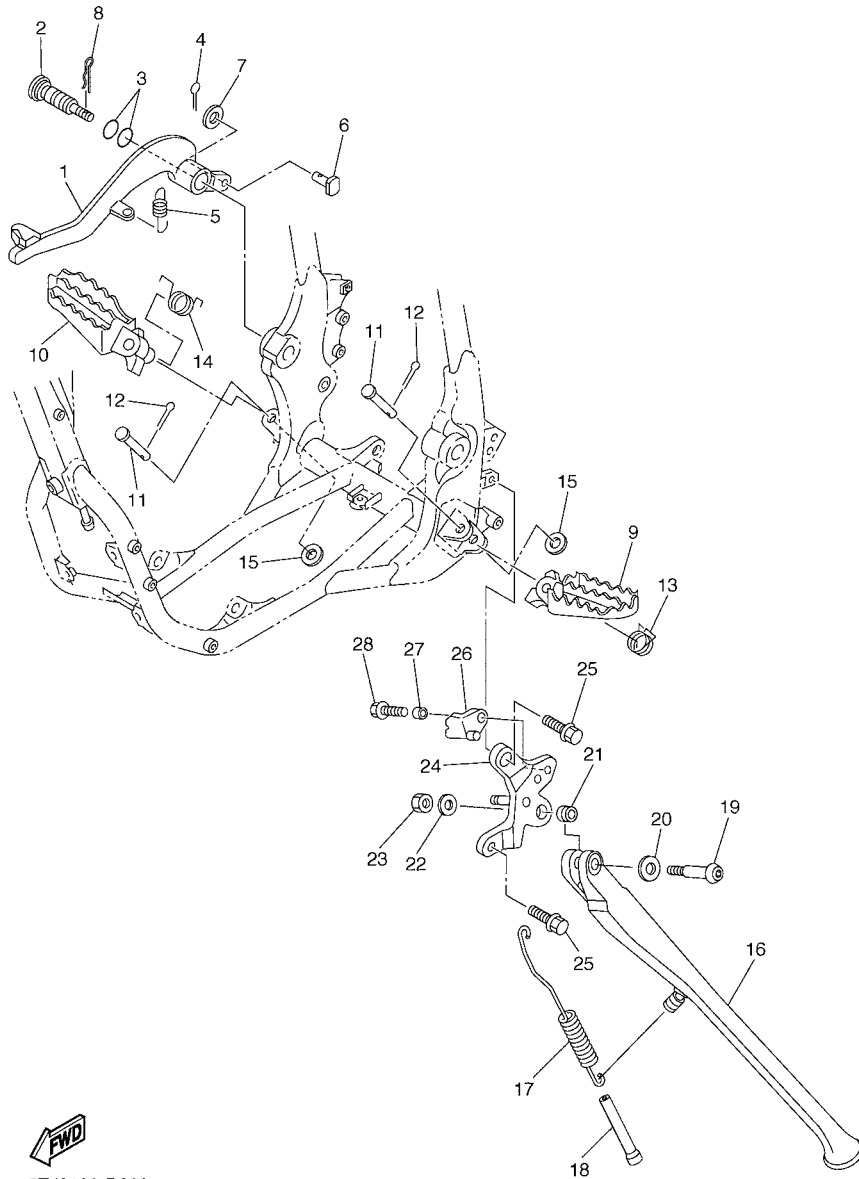
5TJB100-E340

FIG. 35 FRONT MASTER CYLINDER



5XD5100-D331

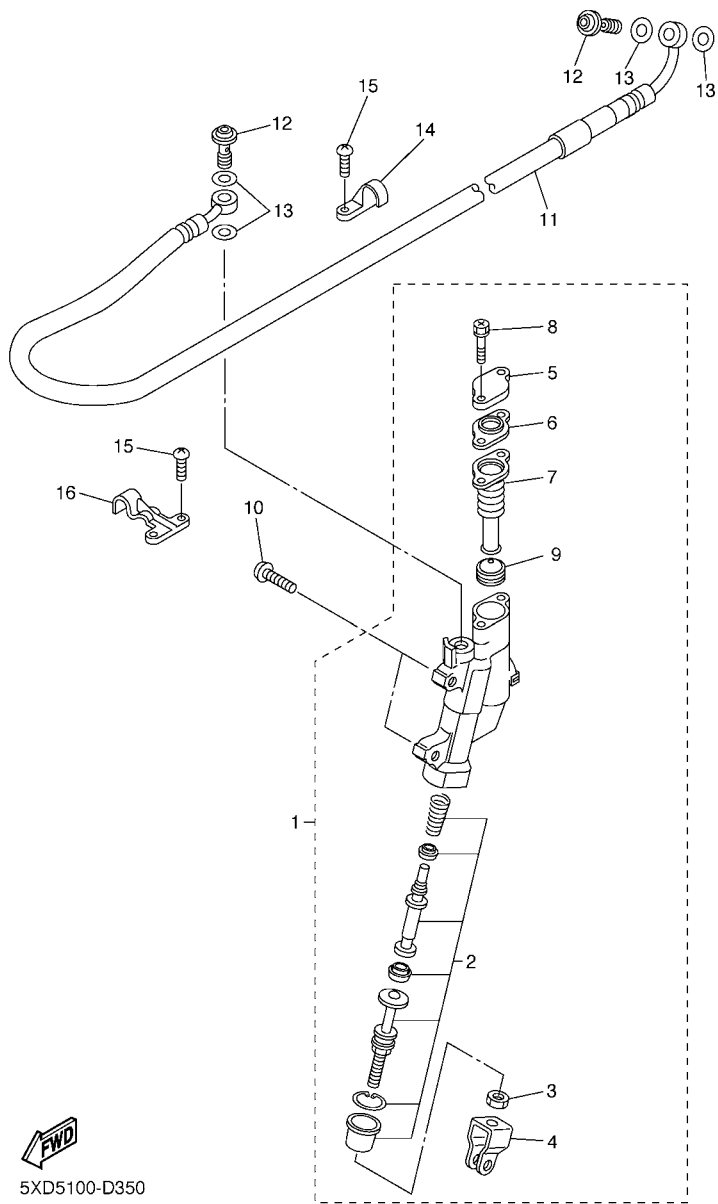
REF. NO.	PART NO.	DESCRIPTION	SUMB	SUMC	SUMD	REMARKS
1	5TJ-25872-80	HOSE, BRAKE 1	1	1	1	
2	90201-10118	WASHER, PLATE	4	4	4	
3	90401-10172	BOLT, UNION	2	2	2	
4	5XE-W2587-10	MASTER CYLINDER SUB ASSY	1	1	1	
5	5NY-W0041-00	.CYLINDER KIT, MASTER	1	1	1	
6	5NY-25868-00	.BOOT, MASTER CYLINDER	1	1	1	
7	5XE-25854-00	.DIAPHRAGM, RESERVOIR	1	1	1	
8	5MV-25852-01	.CAP, RESERVOIR	1	1	1	
9	98706-04012	.SCREW, FLAT HEAD	2	2	2	
10	5CG-25715-00	.SEPARATOR ASSY	1	1	1	
11	5XE-25853-00	.FLOAT, RESERVOIR	1	1	1	
12	1C3-83922-50	LEVER 2	1	1	1	
13	5MV-2589F-00	BOLT, LEVER	1	1	1	
14	95701-06500	NUT, FLANGE	1	1	1	
15	5MV-25867-00	BRACKET, MASTER CYLINDER	1	1	1	
16	5MV-25833-00	BOLT, FITTING	2	2	2	
17	5NY-26372-00	COVER, HANDLE LEVER 1	1	1	1	



5TJ8100-D360

FIG. 36 STAND & FOOTREST

REF. NO.	PART NO.	DESCRIPTION	SUMB	SUMC	SUMD	REMARKS
1	1C3-27200-10	PEDAL, BRAKE	1	1	1	
2	1C3-27217-10	BOLT	1	1	1	
3	93210-11073	O-RING	2	2	2	
4	91402-20012	PIN, COTTER	1	1	1	
5	90506-16007	SPRING, TENSION	1	1	1	
6	90240-08120	PIN, CLEVIS	1	1	1	
7	90201-08044	WASHER, PLATE	1	1	1	
8	90468-16001	CLIP	1	1	1	
9	5ET-27411-00	FOOTREST 1	1	1	1	
10	5ET-27421-00	FOOTREST 2	1	1	1	
11	90240-10004	PIN, CLEVIS	2	2	2	
12	91402-25015	PIN, COTTER	2	2	2	
13	90508-28015	SPRING, TORSION	1	1	1	
14	90508-28018	SPRING, TORSION	1	1	1	
15	90201-10032	WASHER, PLATE	2	2	2	
16	5TJ-27311-80	STAND, SIDE	1	1	1	
17	90506-30002	SPRING, TENSION	1	1	1	
18	5TJ-27414-80	DAMPER, FOOTREST	1	1	1	
19	90109-08051	BOLT	1	1	1	
20	92990-10200	WASHER, PLAIN	1	1	1	
21	90387-1003G	COLLAR	1	1	1	
22	90201-086P8	WASHER, PLATE	1	1	1	
23	90185-08055	NUT, SELF-LOCKING	1	1	1	
24	5TJ-21458-50	BRACKET, SIDE STAND	1	1	1	
25	95022-10020	BOLT, FLANGE	2	2	2	
26	5TJ-27314-50	STOPPER	1	1	1	
27	90387-06M24	COLLAR	1	1	1	

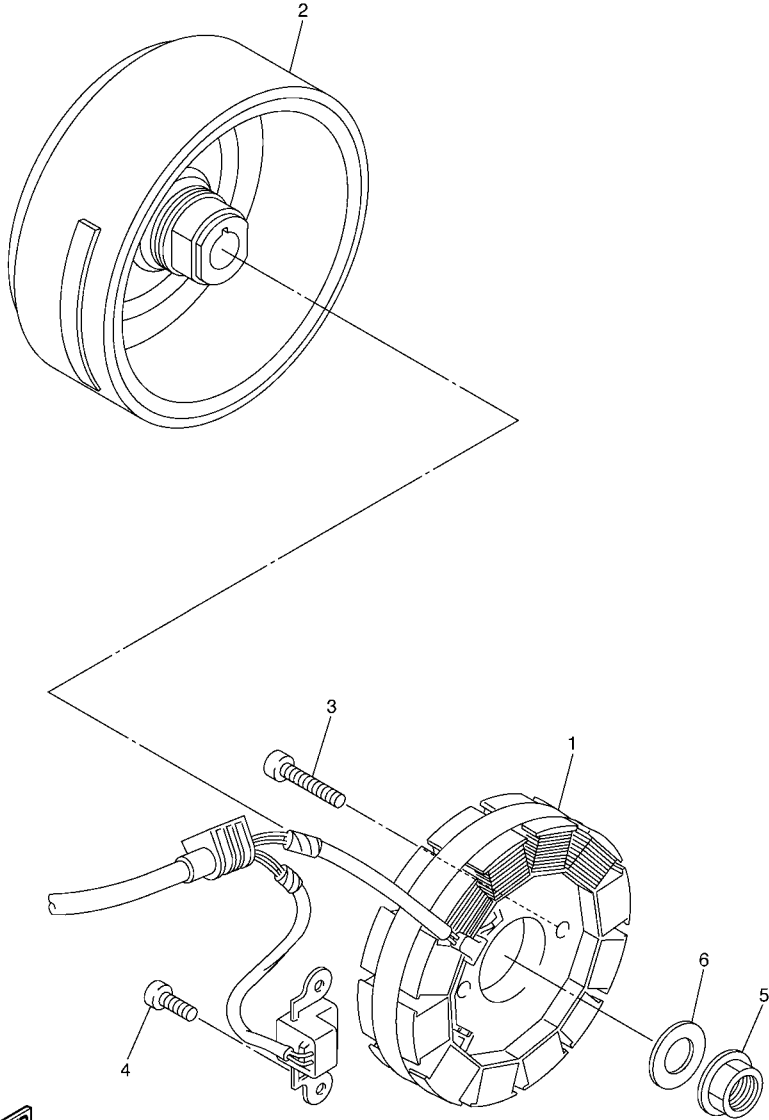


5XD5100-D350

FIG. 37 REAR MASTER CYLINDER

REF. NO.	PART NO.	DESCRIPTION	SUMB	SUMC	SUMD	REMARKS
1	5UN-2583V-00	RR. MASTER CYLINDER ASSY.	1	1	1	
2	5UN-W0042-50	.CYLINDER KIT, MASTER	1	1	1	
3	5UN-27218-00	.NUT	1	1	1	
4	5UN-27222-00	.JOINT	1	1	1	
5	5UN-25852-50	.CAP, RESERVOIR	1	1	1	
6	5UN-2585B-00	.PLATE, DIAPHRAGM	1	1	1	
7	5UN-25854-00	.DIAPHRAGM, RESERVOIR	1	1	1	
8	5UN-27217-00	.BOLT	2	2	2	
9	5CG-25715-00	.SEPARATOR ASSY	1	1	1	
10	90111-06059	BOLT,HEX. SOCKET BUTTON	2	2	2	
11	5UN-25873-00	HOSE, BRAKE 2	1	1	1	
12	90401-10172	BOLT, UNION	2	2	2	
13	90201-10118	WASHER, PLATE	4	4	4	
14	1C3-25886-50	HOLDER, BRAKE HOSE	1	1	1	
15	98504-05010	SCREW, PAN HEAD	4	4	4	
16	1C3-25876-50	HOLDER, BRAKE HOSE 2	1	1	1	

FIG. 38 GENERATOR



REF. NO.	PART NO.	DESCRIPTION	SUMB	SUMC	SUMD	REMARKS
1	5UM-81410-20	STATOR ASSY	1	1	1	
2	5UM-81450-00	ROTOR ASSY	1	1	1	
3	91317-05020	BOLT	2	2	2	
4	91317-06014	BOLT	2	2	2	
5	90179-12657	NUT	1	1	1	
6	90201-12020	WASHER, PLATE	1	1	1	


5UM5100-C370

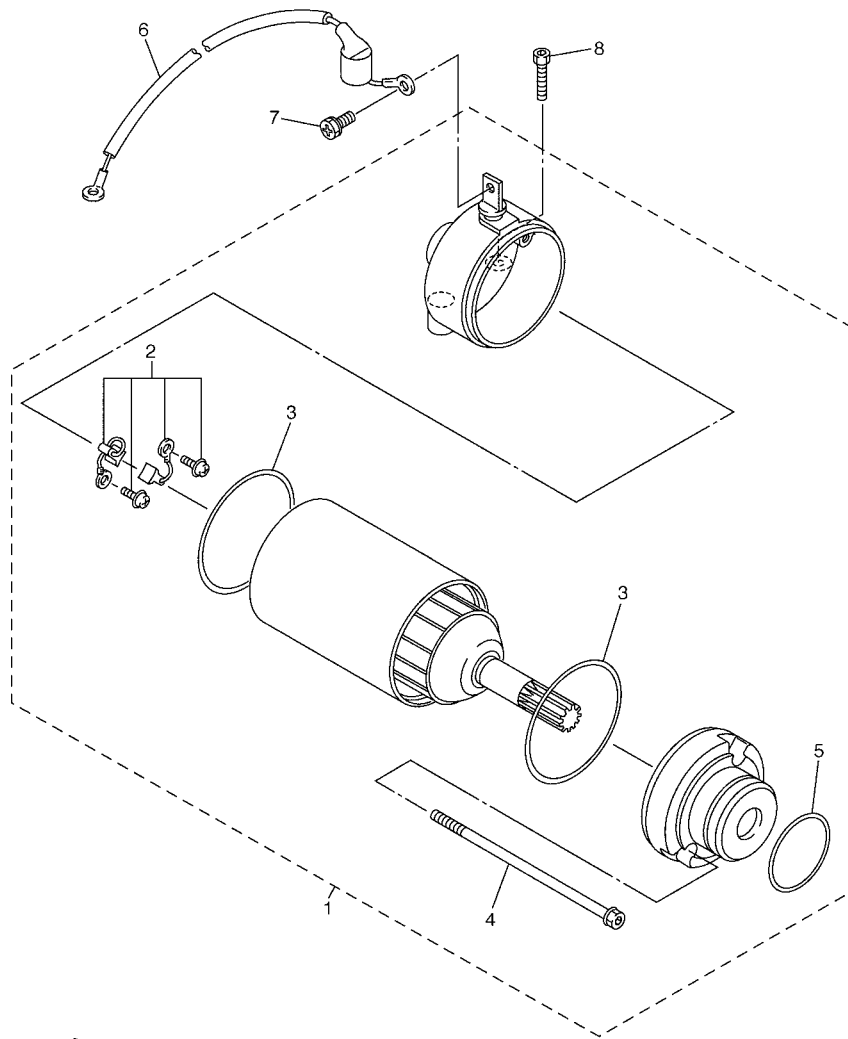


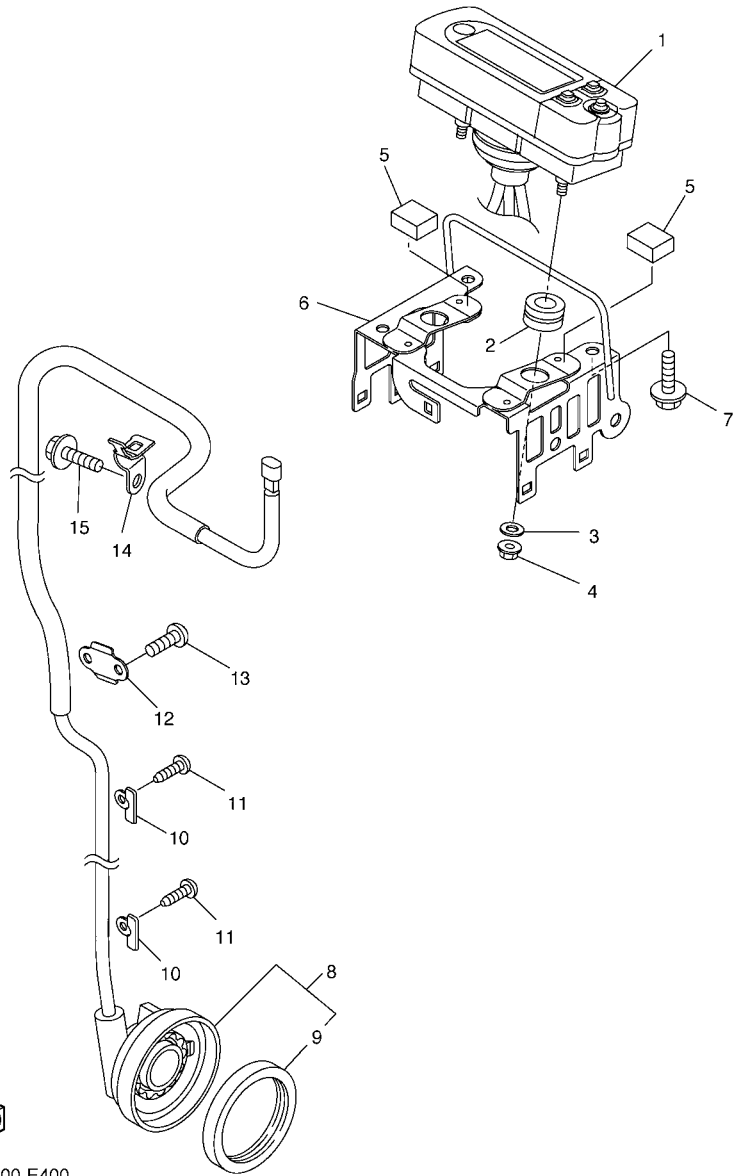
FIG. 39 STARTING MOTOR

REF. NO.	PART NO.	DESCRIPTION	SUMB	SUMC	SUMD	REMARKS
1	5UM-81890-10	MOTOR ASSY	1	1	1	
2	5UM-81801-10	.BRUSH SET	1	1	1	
3	5UM-81861-00	.GASKET	2	2	2	
4	5UM-81828-10	.BOLT 2	2	2	2	
5	93210-25711	.O-RING	1	1	1	
6	5UM-8183G-00	CORD COMP.	1	1	1	
7	5TJ-81828-01	BOLT 2	1	1	1	
8	91312-06025	BOLT	2	2	2	



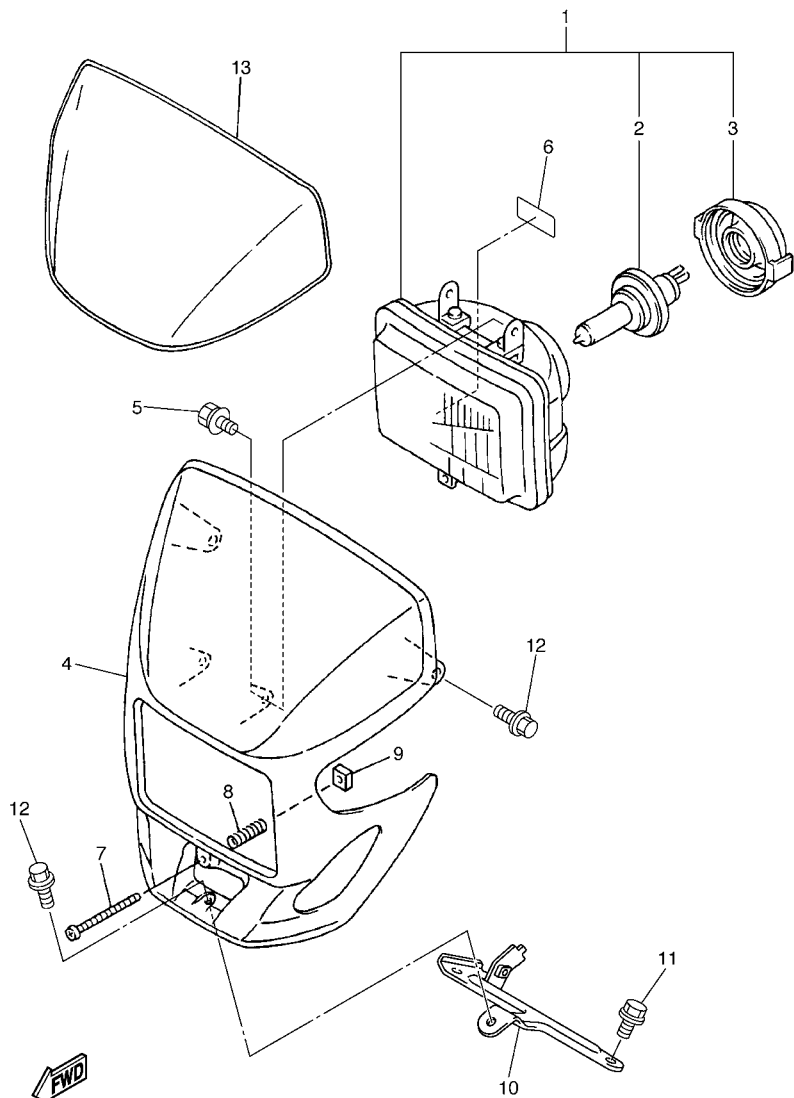
5UM5100-C380

FIG. 40 METER



REF. NO.	PART NO.	DESCRIPTION	SUMB	SUMC	SUMD	REMARKS
1	5TJ-83500-C0	SPEEDOMETER ASSY (KM/H)				1
2	90480-14012	GROMMET	2	2	2	
3	90201-057H5	WASHER, PLATE	2	2	2	
4	95707-05500	NUT, FLANGE	2	2	2	
5	5TJ-83523-C0	DAMPER	2	2	2	
6	5TJ-83519-C0	BRACKET, METER	1	1	1	
7	95027-06012	BOLT, FLANGE	2	2	2	
8	5TJ-83755-C0	SENSOR, SPEED	1	1	1	
9	93105-47007	.OIL SEAL	1	1	1	
10	5TJ-8375F-C0	PLATE 2	2	2	2	
11	97702-40010	SCREW, TAPPING	2	2	2	
12	5TJ-8375E-C0	PLATE 1	1	1	1	
13	92012-05008	BOLT, BUTTON HEAD	2	2	2	
14	90462-16001	CLAMP	1	1	1	
15	95022-06010	BOLT, FLANGE	1	1	1	

FIG. 41 HEADLIGHT



5TJB100-E410

REF. NO.	PART NO.	DESCRIPTION	SUMB	SUMC	SUMD	REMARKS
1	5BF-84310-01	HEADLIGHT UNIT ASSY	1	1	1	
2	8G9-84314-00	.BULB (12V-60/55W)	1	1	1	(H4)HALOGEN
3	5BF-84397-00	.COVER, SOCKET	1	1	1	
4	5BF-84330-01	BODY ASSY	1	1	1	
5	55U-84337-00	BOLT, SPECIAL	2	2	2	
6	1JK-21268-00	SEAL	1	1	1	
7	5BF-8433E-00	SCREW, ADJUSTING	1	1	1	
8	5BF-84335-00	SPRING	1	1	1	
9	5BF-84334-00	NUT, ADJUSTING	1	1	1	
10	5TJ-84319-C0	STAY, HEADLIGHT 2	1	1	1	
11	95027-08012	BOLT, FLANGE	2	2	2	
12	90105-06064	BOLT, FLANGE	3	3	3	
13	5BF-2339E-00	GRAPHIC 1	1	1	1	

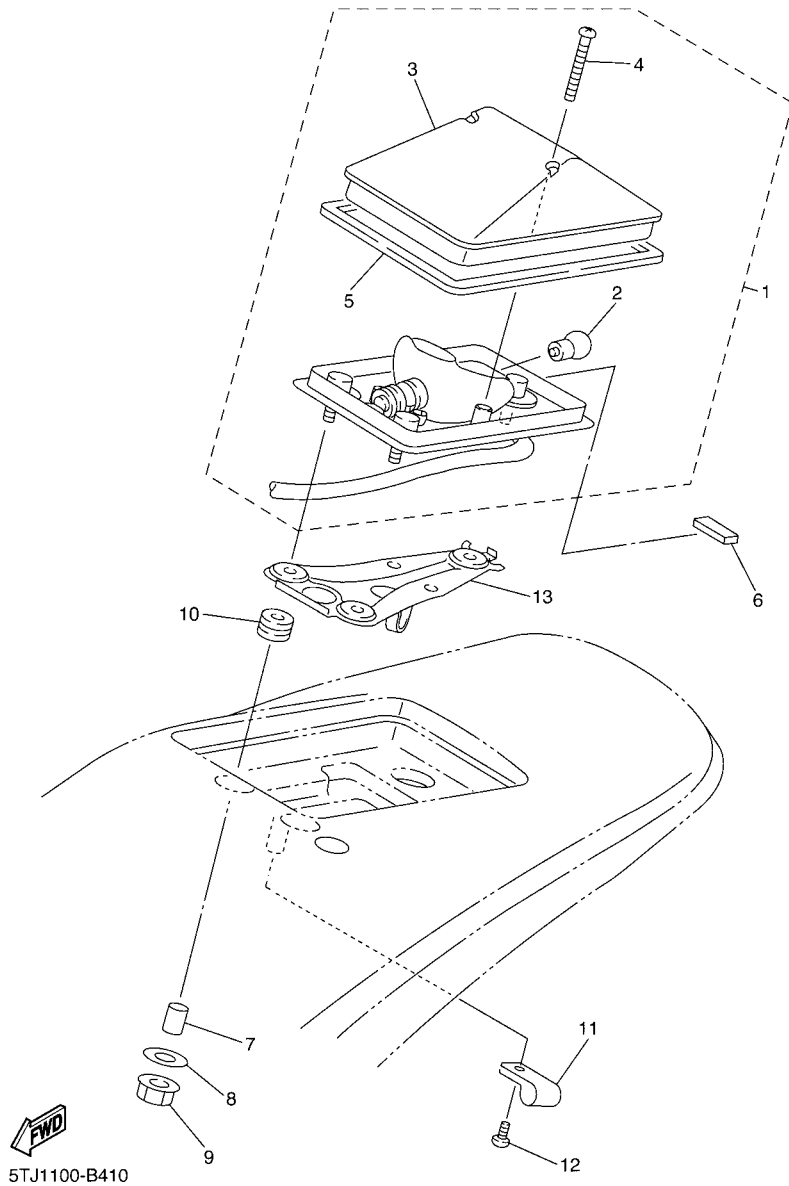


FIG. 42 TAILLIGHT

REF. NO.	PART NO.	DESCRIPTION	SUMB	SUMC	SUMD	REMARKS
1	5TJ-84710-00	TAILLIGHT UNIT ASSY	1	1	1	
2	36Y-84714-40	.BULB, TAILLIGHT (12V-21/5W)	1	1	1	
3	4GY-84733-00	.LENS, TAILLIGHT	1	1	1	
4	97706-40530	.SCREW, TAPPING	2	2	2	
5	4GY-84723-00	.GASKET, TAIL LENS	1	1	1	
6	1HX-27415-00	PLATE, DAMPER	1	1	1	
7	90387-065L5	COLLAR	3	3	3	
8	90201-06057	WASHER, PLATE	3	3	3	
9	95707-06500	NUT, FLANGE	3	3	3	
10	90480-14102	GROMMET	3	3	3	
11	90461-11099	CLAMP	2	2	2	
12	97780-40010	SCREW, TAPPING	2	2	2	
13	5TJ-21677-00	PLATE, FITTING 3	1	1	1	

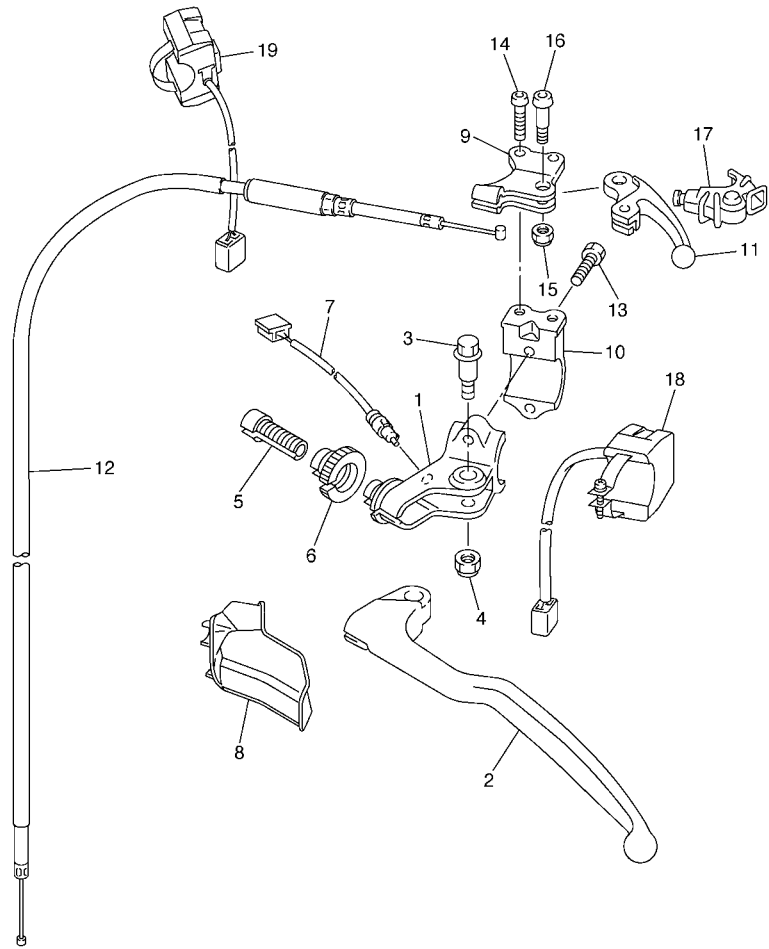


FIG. 43 HANDLE SWITCH & LEVER

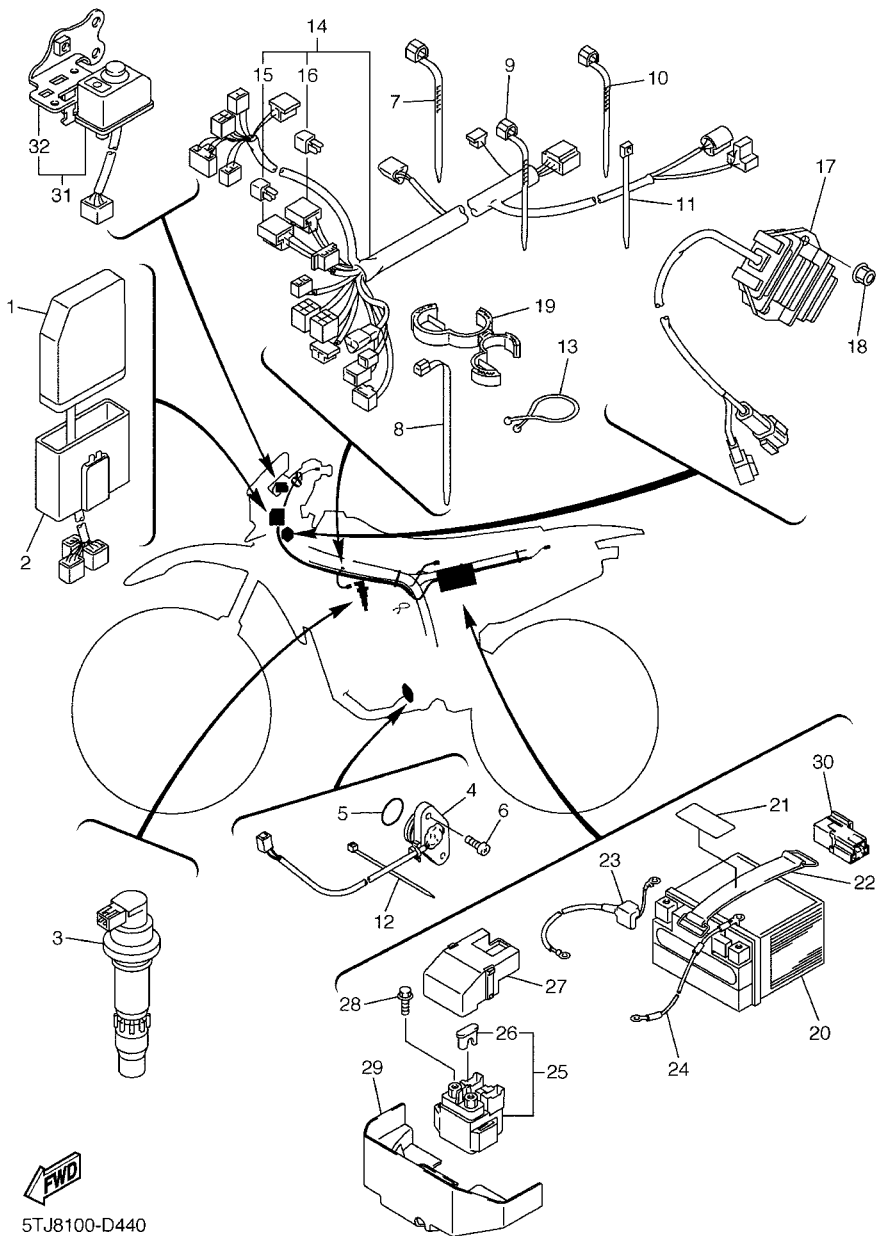
REF. NO.	PART NO.	DESCRIPTION	SUMB	SUMC	SUMD	REMARKS
1	5TJ-82911-80	HOLDER, LEVER 1	1	1	1	
2	5TJ-83912-80	LEVER 1	1	1	1	
3	90109-06034	BOLT	1	1	1	
4	5LP-84126-10	NUT, LENS FITTING	1	1	1	
5	5HD-26337-00	BOLT, ADJUSTING	1	1	1	
6	5HD-83951-00	BOLT, CABLE ADJUSTING	1	1	1	
7	5TJ-82917-01	SWITCH	1	1	1	
8	5TJ-26372-80	COVER, HANDLE LEVER 1	1	1	1	
9	5XD-82946-00	HOLDER, STARTER LEVER	1	1	1	
10	5XD-82913-00	HOLDER, LEVER LOWER 1	1	1	1	
11	5TA-83941-00	LEVER, STARTER	1	1	1	
12	5TA-26334-00	CABLE, STARTER 2	1	1	1	
13	90101-05033	BOLT	2	2	2	
14	92014-05012	BOLT, BUTTON HEAD	2	2	2	
15	95607-05100	NUT, U	1	1	1	
16	90149-05162	SCREW	1	1	1	
17	5TA-26339-00	BOOT	1	1	1	
18	5TJ-83976-01	SWITCH, HANDLE 1	1	1	1	
19	5TJ-83976-11	SWITCH, HANDLE 1	1	1	1	



5TJ5100-C420

FIG. 44 ELECTRICAL 1

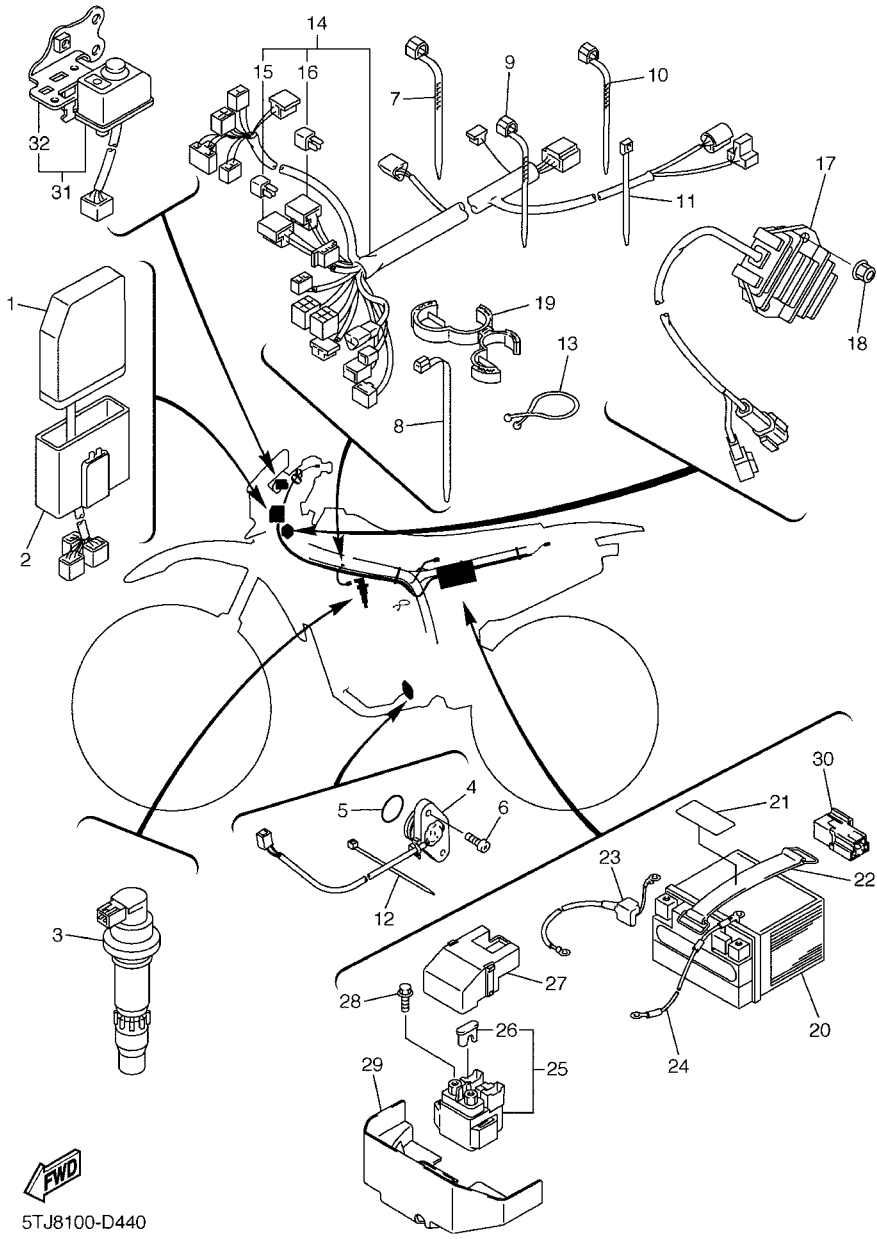
REF. NO.	PART NO.	DESCRIPTION	SUMB	SUMC	SUMD	REMARKS
1	5UM-85540-C0	C.D.I. UNIT ASSY			1	
2	5TJ-85546-00	BAND	1	1	1	
3	5UL-82310-10	IGNITION COIL ASSY	1	1	1	
4	5TJ-82540-01	NEUTRAL SWITCH ASSY	1	1	1	
5	93210-21276	O-RING	1	1	1	
6	90154-05026	SCREW, BINDING	2	2	2	
7	90464-13077	CLAMP	4	4	4	
8	90465-13275	CLAMP	7	7	7	
9	90464-13073	CLAMP	5	5	5	
10	90464-15195	CLAMP	1	1	1	
11	90465-13152	CLAMP	5	5	5	
12	5Y9-12491-00	CLAMP 1	4	4	4	
13	90464-23041	CLAMP	1	1	1	
14	5TJ-82590-C0	WIRE HARNESS ASSY	1	1	1	
15	5TJ-81980-00	.DIODE ASSY	1	1	1	
16	4WA-81980-00	.DIODE ASSY	1	1	1	
17	5TJ-81960-80	RECTIFIER & REGULATOR ASSY	1	1	1	
18	95704-06500	NUT, FLANGE	2	2	2	
19	90464-29223	CLAMP	1	1	1	
20	5UM-82100-09	BATTERY ASSY (YTX5L-BS)	1	1	1	
21	1JK-21268-00	SEAL	1	1	1	
22	8CY-82131-00	BAND, BATTERY	1	1	1	
23	5TJ-82115-00	WIRE, PLUS LEAD	1	1	1	
24	5UM-82116-00	WIRE, MINUS LEAD	1	1	1	
25	5TJ-81940-12	STARTER RELAY ASSY	1	1	1	
26	42X-82151-00	.FUSE (10A-BL)	2	2	2	



5TJ8100-D440

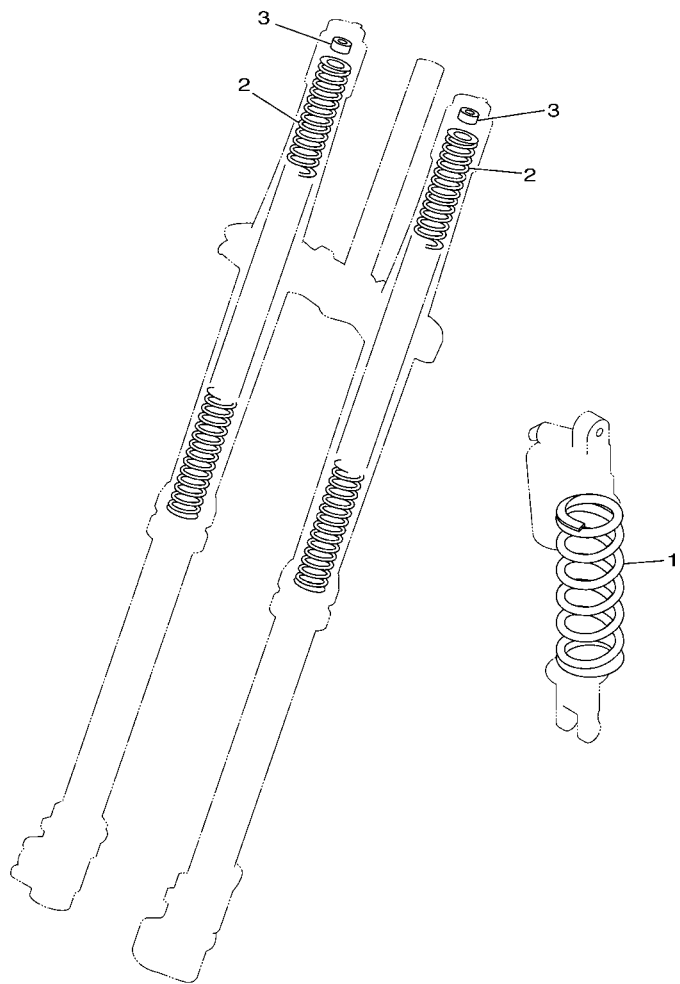
FIG. 44 ELECTRICAL 1

REF. NO.	PART NO.	DESCRIPTION	SUMB	SUMC	SUMD	REMARKS
27	5SL-82119-10	COVER, LEAD WIRE	1	1	1	
28	95027-06008	BOLT, FLANGE	2	2	2	
29	5TJ-81952-80	HOLDER, RELAY	1	1	1	
30	8DM-81950-00	RELAY ASSY	1	1	1	
31	5TJ-82510-80	MAIN SWITCH ASSY	1	1	1	
32	5TJ-82514-80	.STAY, MAIN SWITCH	1	1	1	



FWD
5TJ8100-D440

FIG. 45 ALTERNATE FOR CHASSIS



5NL1100-1390

REF. NO.	PART NO.	DESCRIPTION	SUMB	SUMC	SUMD	REMARKS
1	5UN-22212-00	SPRING (K=42N/MM)	1	1	1	AP
	5UN-22212-10	SPRING (K=44N/MM)	1	1	1	AP
	5UN-22212-30	SPRING (K=48N/MM)	1	1	1	AP
	5UN-22212-60	SPRING (K=54N/MM)	1	1	1	AP
	5UN-22212-70	SPRING (K=56N/MM)	1	1	1	AP
2	5TJ-23141-00	SPRING (K=4.0N/MM)	2	2	2	AP
	5TJ-23141-10	SPRING (K=4.1N/MM)	2	2	2	AP
	5TJ-23141-40	SPRING (K=4.4N/MM)	2	2	2	AP
	5TJ-23141-50	SPRING (K=4.5N/MM)	2	2	2	AP
	5TJ-23141-60	SPRING (K=4.6N/MM)	2	2	2	AP
3	5XE-23364-00	COLLAR 2	2	2	2	UN AP

NUMERICAL INDEX

PART NO.	GRID NO.	PART NO.	GRID NO.	PART NO.	GRID NO.	PART NO.	GRID NO.	PART NO.	GRID NO.	PART NO.	GRID NO.
5UM-11101-00	B - 2	1HX-12168-K1	B - 5	5BE-13447-10	B - 11	5TJ-1443A-00	B - 13	5UM-14916-CR	B - 14	5JG-14951-00	B - 14
4KG-1111G-00	B - 3	1HX-12168-M1	B - 5	5XC-13464-00	B - 10	5BF-1443E-00	B - 13	5UM-14916-D1	B - 14	5GS-14958-00	C - 3
5NL-11133-10	B - 2	1HX-12168-R1	B - 5	5XC-13465-00	B - 10	5NY-14442-00	B - 12	5UM-14916-DJ	B - 14	5JG-14959-00	B - 14
5NL-11134-10	B - 2	1HX-12168-U1	B - 5	5TJ-13542-10	C - 5	5TJ-14451-00	B - 12	5UM-14916-DK	B - 14	5JG-14984-00	C - 2
5TJ-11166-00	B - 2	1HX-12168-W1	B - 5	5XC-13597-00	B - 12	5TJ-14453-00	B - 12	5UM-14916-DL	B - 14	4SR-14985-00	C - 2
5BE-11167-00	B - 2	1HX-12168-Y1	B - 5	5UM-14101-B0	B - 14	5NY-14455-10	B - 12	5UM-14916-DM	B - 14	5TA-14987-00	B - 12
371-11167-01	B - 2	1HX-12169-11	B - 6	5NL-14105-00	C - 2	5TJ-14457-00	B - 13	5UM-14916-DN	B - 14	5TJ-14987-00	C - 3
5NL-11181-00	B - 2	1HX-12169-31	B - 6	4MX-14115-00	C - 3	5TJ-14458-00	B - 12	5UM-14916-DP	B - 14	5TA-14991-00	C - 2
5NL-11191-10	B - 2	1HX-12169-50	B - 6	5TJ-14118-00	C - 3	5TJ-14459-00	B - 12	5UM-14916-SU	B - 14	4FN-14997-00	B - 14
5NL-11193-00	B - 3	1HX-12169-70	B - 6	3TJ-14137-40	B - 12	5TJ-14462-00	B - 13	5JG-14922-00	C - 3	5TA-14997-00	C - 3
5XC-11311-01	B - 3	1HX-12169-90	B - 6			5TJ-14475-00	B - 12	5GS-14933-00	C - 3	5UM-15150-10	C - 7
5NL-11351-00	B - 3	1HX-12169-E0	B - 6	5BE-14146-00	C - 3	5JG-14521-00	B - 15	3TJ-14933-40	C - 2	5UM-15362-00	D - 5
5UM-11387-00	B - 3	1HX-12169-G0	B - 6	5PA-14146-00	C - 3	5JG-14522-00	B - 14	5TA-14934-00	C - 3	3Y1-15363-00	C - 8
5UM-11400-20	B - 4	1HX-12169-J0	B - 6	5TA-14155-00	C - 3	5JG-14531-00	C - 3	5GS-14940-00	C - 3	4JT-15381-01	C - 7
5UM-11412-10	B - 4	1HX-12169-L0	B - 6	633-14159-00	C - 2	3TJ-14536-40	C - 2	5JG-14940-16	C - 2	5BE-15383-01	C - 7
5UL-11422-00	B - 4	1HX-12169-N0	B - 6	3TJ-14159-40	B - 15	5JG-14546-01	B - 14	5JG-14940-17	C - 2	5NL-15388-00	C - 7
5NL-11454-00	B - 4	1HX-12169-T0	B - 6	5TA-14171-00	C - 2	676-14548-00	C - 2	5JG-14940-18	C - 2	5UM-15411-10	C - 8
5NL-11455-00	B - 4	5UL-12170-10	B - 7	3TJ-14191-40	C - 2	4MX-14561-00	C - 3	5JG-14940-76	C - 2	5NL-15415-00	C - 8
5NL-11531-00	B - 4	5UM-12180-10	B - 7	5UL-14196-00	C - 3	6H4-14561-00	C - 2	5TA-14943-15	B - 15	5BE-15421-20	C - 7
5NL-11536-00	B - 4	5TA-12210-00	B - 7	5TA-14197-00	C - 3	5NX-14562-00	C - 3	4MX-14943-39	B - 15	5NL-15431-10	C - 8
5NL-11603-00	B - 4	4FM-12213-00	B - 7	5NX-14216-00	C - 3	5JG-14565-00	C - 3	4MX-14943-40	B - 15	5NL-15441-01	C - 7
5NL-11631-20	B - 4	5BE-12241-00	B - 7	5TA-14227-00	B - 12	5GS-14591-00	C - 3	4MX-14943-41	B - 15	5UM-15451-00	C - 8
5NL-11633-00	B - 4	5NL-12251-10	B - 7	5TA-14239-00	B - 12	688-14592-00	B - 14	4MX-14943-42	B - 15	5NL-15453-00	C - 9
5XC-11651-00	B - 4	5NL-12252-00	B - 7	5TJ-14243-00	C - 3	5UM-14611-00	C - 6	4MX-14943-89	B - 15	5NL-15462-00	C - 8
5XC-11681-00	B - 4	5NL-1240A-10	B - 9	5TA-14261-00	C - 3	5NL-14613-00	C - 6	4MX-14943-90	B - 15	5UM-1549B-10	C - 8
5NL-12111-10	B - 5	5NL-12422-10	B - 8	5JG-14264-00	B - 15	5TJ-14623-00	C - 6	4MX-14943-91	B - 15	5UM-15515-20	C - 11
5NL-12112-10	B - 5	5NL-12439-00	B - 8	3TJ-14267-40	B - 14	5XC-14628-00	C - 6	4MX-14943-92	B - 15	5UM-15517-00	C - 11
5NL-12113-00	B - 5	5DH-12451-00	B - 8	5JG-14275-00	B - 15	5UM-14710-80	C - 6	4MX-14943-93	B - 15	5UM-15532-00	C - 11
5NL-12114-00	B - 5	5XC-12459-00	B - 8	5TA-14293-00	B - 12	5PH-14714-00	C - 6	5TJ-14947-00	B - 15	5UM-15560-00	C - 11
5NL-12116-00	B - 5	5NL-12461-10	B - 9	3TJ-14293-40	C - 2	4KM-14714-01	C - 5	4MX-14948-01	B - 15	5UM-15570-00	C - 11
1HX-12117-00	B - 5	22W-12462-00	B - 9	5TA-14335-00	C - 2	5BE-14747-00	C - 6	4MX-14948-02	B - 15	5VY-15586-00	C - 11
1WG-12117-00	B - 5	5NL-12481-10	B - 9	5JG-14346-00	C - 3	4BD-14766-00	C - 6	4MX-14948-03	B - 15	5NL-15601-10	C - 10
1HX-12118-00	B - 5	5Y9-12491-00	F - 7	5TA-14371-00	C - 2	5TJ-14780-00	C - 6	4MX-14948-04	B - 15	5NL-15620-10	C - 10
1WG-12118-00	B - 5	5NL-12564-00	C - 8	5TA-14374-00	C - 2	5TJ-14784-00	C - 6	4MX-14948-05	B - 15	5NX-15621-10	C - 10
4SV-12119-00	B - 5	5SG-12576-00	B - 9	5JG-14379-00	C - 3	5BE-14788-00	C - 6	3TJ-1494F-12	B - 15	5NL-15641-10	C - 10
4TV-12119-00	B - 5	5SG-12577-00	B - 9	5JG-14388-00	B - 14	5TJ-14799-00	C - 6	3TJ-1494F-13	B - 15	5NL-15651-00	C - 10
5NL-12121-10	B - 5	5SG-12578-00	B - 9	4MX-14392-00	C - 2	5TJ-14803-00	C - 5	4JT-1494F-13	C - 2	5NL-15664-00	C - 10
3GM-12126-00	B - 5	5SG-12579-00	B - 9	5TJ-14401-20	B - 12	5TJ-1482K-10	C - 5	3TJ-1494F-14	B - 15	5SG-15668-00	C - 10
3FV-12153-10	B - 6	583-13113-00	B - 11	5TJ-14419-00	B - 13	5TJ-14834-00	C - 5	3TJ-1494F-15	B - 15	4GY-15671-00	C - 10
3LN-12153-10	B - 6	5NL-13161-10	B - 11	5TJ-1441A-00	B - 13	5UM-14871-00	C - 5	4JT-1494F-15	B - 15	214-15686-00	C - 10
1HX-12168-00	B - 5	5NL-13171-00	B - 11	5TJ-1441E-10	B - 12	5TJ-14881-00	C - 5	3TJ-1494F-16	B - 15	5NL-16111-00	C - 12
1HX-12168-20	B - 5	5SG-13300-00	B - 10	5TJ-1441G-00	B - 12	5TJ-14882-00	C - 5	4JT-1494F-17	C - 2	5NL-16150-10	C - 12
1HX-12168-40	B - 5	5NL-13320-00	B - 10	5TJ-14425-10	B - 12	5UM-14916-C1	B - 14	4JT-1494F-21	C - 2	5NL-16154-00	C - 12
1HX-12168-60	B - 5	5NL-13341-00	B - 10	5TJ-14426-00	B - 12	5UM-14916-CK	B - 14	4JT-1494F-25	C - 2	3XJ-16321-00	C - 12
1HX-12168-80	B - 5	5BE-13342-00	B - 10	5TA-14428-00	B - 12	5UM-14916-CL	B - 14	4JT-1494F-28	C - 2	5DH-16321-00	C - 12
1HX-12168-A0	B - 5	5NL-13411-00	B - 10	5TJ-1442A-00	B - 13	5UM-14916-CM	B - 14	4JT-1494F-30	C - 2	5NL-16325-00	C - 12
1HX-12168-F0	B - 5	5NL-13412-00	B - 10	5TJ-14436-00	B - 12	5UM-14916-CN	B - 14	5UM-1494F-30	B - 15	5NL-16325-10	C - 12
1HX-12168-H1	B - 5	5TA-13440-00	B - 11	5TJ-14437-10	B - 12	5UM-14916-CP	B - 14	4JT-1494F-32	C - 2	5HD-16351-00	C - 12

NUMERICAL INDEX

PART NO.	GRID NO.	PART NO.	GRID NO.	PART NO.	GRID NO.	PART NO.	GRID NO.	PART NO.	GRID NO.	PART NO.	GRID NO.
5NL-16356-00	C - 12	5XD-21455-60	D - 4	5UM-22199-00	D - 8	5TJ-23141-00	F - 9	22W-24181-00	C - 6	5MV-25833-00	E - 11
5NL-16357-10	C - 12	5TJ-21458-50	E - 12	5UM-22201-B0	D - 10	5TJ-23141-10	F - 9	5TJ-24181-00	E - 2	5UN-2583V-00	E - 14
5NL-16371-00	C - 12	5NL-21471-01	D - 5	5UM-22201-C0	D - 10	5TJ-23141-40	F - 9	5BE-24182-00	E - 2	5DH-25849-00	E - 6
5JG-16381-00	C - 12	5NL-2147A-00	D - 5	5UM-22201-D0	D - 10	5TJ-23141-50	F - 9	5NY-24183-00	E - 2	5MV-25852-01	E - 11
5NL-16383-10	C - 12	5UM-2147A-00	D - 5	5UM-22201-N0	D - 10	5TJ-23141-60	F - 9	5NY-24186-00	E - 2	5UN-25852-50	E - 14
4JT-16384-00	C - 12	5UM-21481-C0	D - 5	5UM-22210-B0	D - 10	5TJ-23141-90	D - 13	5TJ-24240-30	E - 3	5XE-25853-00	E - 11
5NL-16384-00	C - 12	1C3-21511-50	D - 6	5UM-22210-C0	D - 10	5UM-23141-A0	D - 13	3XJ-24380-00	E - 2	5UN-25854-00	E - 14
5NL-17121-00	C - 14	3XJ-2151H-A1	D - 6	5UM-22210-D0	D - 10	5XE-23142-L0	D - 13	2GU-24500-02	E - 2	5XE-25854-00	E - 11
5PH-17131-10	C - 14	3XJ-2151H-B1	D - 6	5UM-22210-N0	D - 10	5XE-23144-L0	D - 13	4X8-24512-00	E - 2	5UN-2585B-00	E - 14
5PH-17141-10	C - 14	4XL-2153A-10	D - 15	5UN-22212-00	F - 9	1C3-23145-L0	D - 13	3AC-24523-00	E - 2	5MV-25867-00	E - 11
5PH-17151-00	C - 14	4ES-2153E-01	D - 6	5UN-22212-10	F - 9	5XE-23146-L0	D - 13	3AJ-24534-01	E - 2	5NY-25868-00	E - 11
5PH-17211-00	C - 14	5PA-21568-00	D - 6	5UN-22212-20	D - 10	1C3-2314F-M0	D - 13	5NY-24610-00	E - 2	5TJ-25872-80	E - 11
5NL-17221-00	C - 14	5TJ-21610-80	D - 6	5UN-22212-30	F - 9	5XE-23153-L0	D - 13	5TJ-2470F-80	E - 4	5UN-25873-00	E - 14
5PH-17231-10	C - 14	5XD-21635-00	D - 6	5UN-22212-40	D - 10	4SS-23158-L0	D - 13	5TJ-24710-C0	E - 4	1C3-25875-50	E - 6
5PH-17241-10	C - 14	5UM-2163G-20	D - 6	5UN-22212-50	D - 10	1C3-2315H-10	D - 15	5NY-25104-00	E - 5	1C3-25876-50	E - 14
5PH-17251-10	C - 14	5TA-21642-00	D - 6	5UN-22212-60	F - 9	5TJ-2315J-C0	D - 14	5TJ-2510C-80	E - 5	1C3-25886-50	E - 14
5NL-17402-00	C - 14	3RV-21668-A0	D - 9	5UN-22212-70	F - 9	5UM-2316A-B0	D - 13	5NG-25111-50	E - 5	5MV-2589F-00	E - 11
5PH-17411-10	C - 14	3RV-21668-B0	D - 9	3SP-22213-00	D - 10	5UM-2316A-C0	D - 13	5NY-25117-00	E - 5	5UN-25914-00	E - 9
5NL-17466-00	C - 7	5TJ-21677-00	F - 5	5XE-22214-00	D - 11	5TJ-2316A-D0	D - 13	1C3-25181-10	E - 5	5DH-25914-50	E - 9
5NL-17471-10	C - 15	5TJ-21711-80	D - 7	5MV-22224-00	D - 10	5TJ-23170-B0	D - 13	5GS-25304-00	E - 7	3SP-25914-51	E - 6
5UL-18101-00	D - 3	5TJ-21721-00	D - 7	4JX-22226-00	D - 10	5TJ-23170-C0	D - 13	5TJ-2530S-80	E - 8	5DH-25916-00	E - 6
5UL-18110-00	D - 3	5NL-2172A-11	D - 7	3SP-22234-00	D - 10	5XE-23171-L0	D - 13	5ET-25311-00	E - 7		E - 9
5LP-18122-01	D - 3	5TA-21730-00	D - 7	5NY-22241-00	D - 11	5DH-23183-00	D - 10	5ET-25317-00	E - 7	3JD-25917-00	E - 6
3XK-18140-00	D - 2	5TJ-2173E-20	D - 7	5XE-22242-00	D - 11	509-22344-L0	D - 10	4XM-25364-00	E - 7		E - 9
5BE-18172-00	D - 3	5TJ-2173F-20	D - 7	1C3-22253-00	D - 10	5TJ-2319U-00	D - 12	1C3-25381-10	E - 8	5DH-25919-00	E - 6
3XJ-18173-10	D - 3	5TA-21740-00	D - 7	5MV-22253-00	D - 10	5TJ-2331E-80	D - 12	1C3-25388-50	E - 8	5DH-25919-50	E - 9
3XJ-18178-00	D - 3	5TJ-2174A-00	D - 7	4AA-22259-40	D - 10	5TJ-23340-C0	D - 14	1C3-25389-00	E - 8	8CR-25924-00	E - 9
3XJ-18182-00	D - 3	5TA-2174T-00	D - 6	4AA-22259-60	D - 10	3SP-23356-L0	D - 15	3JE-25394-00	E - 7	3SP-25926-51	E - 6
3XJ-18184-00	D - 3	5TA-21756-00	D - 4	4AA-22259-80	D - 10	5XE-23364-00	F - 9	4XM-25394-00	E - 7	5DH-25933-00	E - 6
4EW-18185-00	D - 3	2TK-21757-00	B - 13	1P8-22355-00	D - 8	5TJ-23389-80	D - 12	5SF-25394-00	E - 5	1UY-25937-51	E - 6
5NL-18501-00	D - 2	5TJ-21757-00	B - 13	4EW-22474-00	D - 10	5XE-23393-L0	D - 13	1C3-25448-00	E - 7		E - 9
5NL-18502-00	D - 2	4XV-2177L-01	B - 12	3JE-22475-00	D - 10	5BF-2339E-00	F - 4	5GS-25448-50	E - 7	1C3-26111-00	E - 10
5NL-18503-00	D - 2	5UM-2179C-00	D - 5	5NY-22475-00	D - 10	4EW-23416-00	D - 12	1C3-25449-00	E - 7	1C3-26124-00	E - 10
5NL-18541-00	D - 2	5GS-21871-00	D - 7	5UN-22898-60	E - 9	5TJ-23435-C0	D - 12	1C3-25450-00	E - 7	5TJ-26240-C0	E - 10
4UN-18542-00	D - 2	26H-21874-00	D - 7	1C3-22969-50	D - 8	1C3-23441-50	D - 12	5TJ-25450-80	E - 7	4GY-26241-00	E - 10
5DH-18562-00	C - 7	26H-21875-00	D - 7	5UM-23102-B0	D - 13	1C3-23442-50	D - 12	1C3-25451-00	E - 7	5BE-26281-00	E - 10
5UM-21101-C0	D - 4	1C3-22110-50	D - 8	5UM-23102-C0	D - 13	1C3-23466-50	D - 15	1C3-25452-00	E - 7	5BE-26282-00	E - 10
5PA-2118K-00	D - 6	5XD-22121-50	D - 9	5UM-23102-D0	D - 13	1C3-23467-50	D - 15	5TJ-25452-80	E - 7	5SF-26287-10	E - 10
5PA-2118K-10	D - 6	1C3-22122-00	D - 9	5UM-23103-B0	D - 13	5TJ-23525-C0	D - 14	5PH-25454-50	E - 7	5XD-26302-00	E - 10
5TJ-21190-80	D - 4	5UM-22128-00	D - 8	5UM-23103-C0	D - 13	5TJ-24110-C0	E - 2	5CG-25715-00	E - 11	5TA-26334-00	F - 6
1JK-21268-00	F - 4	5XD-22141-50	D - 8	5UM-23103-D0	D - 14	4EW-2412F-00	E - 2		E - 14	5UM-26335-80	E - 10
	F - 7	1C3-22151-00	D - 8	5TJ-23110-C0	D - 14	5XE-24144-00	E - 2	1C3-25718-50	E - 9	5HD-26337-00	F - 6
1C3-2135F-00	D - 9	5UN-22176-00	D - 10	5XE-23111-L0	D - 13	3FB-2415E-01	D - 6	1C3-2580T-00	E - 6	5TA-26339-00	F - 6
1C3-2139R-00	D - 9	4EW-22178-01	D - 4	5XE-23117-L0	D - 13	3ME-2415E-01	D - 6	1C3-2580W-70	E - 9	1C3-26342-50	E - 10
5UL-21417-00	D - 5	3JD-22178-20	D - 4	5TJ-23120-C0	D - 13	3FB-2415E-11	D - 6	5MV-2581T-00	E - 6	5NY-26372-00	E - 11
5UL-21417-10	D - 5	1C3-2217A-00	D - 8	5XE-23125-L0	D - 13	3PT-2416E-10	D - 6	5UN-25827-60	E - 9	5TJ-26372-80	F - 6
5NL-21425-00	D - 4	1C3-2217F-50	D - 8	3JD-2312G-L0	D - 13	5SF-24173-00	E - 2	5UN-25828-60	E - 9	1C3-27200-10	E - 12
5NL-21425-10	D - 4	5MV-22184-00	D - 10	5TJ-23136-C0	D - 13	5XE-24176-00	E - 2	5NY-2582W-00	E - 9	5UN-27217-00	E - 14

NUMERICAL INDEX

PART NO.	GRID NO.	PART NO.	GRID NO.	PART NO.	GRID NO.	PART NO.	GRID NO.	PART NO.	GRID NO.	PART NO.	GRID NO.
1C3-27217-10	E - 12	5TJ-83519-C0	F - 3	90105-06098	C - 9	90179-18001	C - 12	90206-06090	C - 6	90450-22001	B - 9
5UN-27218-00	E - 14	5TJ-83523-C0	F - 3	90105-06553	C - 7		C - 15	90209-16011	D - 8		B - 10
5UN-27222-00	E - 14	5TJ-83755-C0	F - 3		C - 15	90179-28003	D - 12	90209-20008	C - 14	90450-25001	B - 9
5TJ-27311-80	E - 12	5TJ-8375E-C0	F - 3	90105-08077	E - 6	90183-06023	B - 13	90209-23012	C - 14	90450-32003	B - 9
5TJ-27314-50	E - 12	5TJ-8375F-C0	F - 3	90105-08085	C - 6	90185-08008	E - 8	90215-14204	B - 4	90450-54002	B - 12
5ET-27411-00	E - 12	5TJ-83912-80	F - 6		D - 4	90185-08055	E - 12	90215-16289	C - 12	90450-57010	B - 12
5TJ-27414-80	E - 12	1C3-83922-50	E - 11	90105-08120	D - 4	90185-10060	D - 11	90215-20003	C - 12	90450-61001	B - 12
1HX-27415-00	F - 5	5TA-83941-00	F - 6	90105-08659	C - 6	90185-14007	D - 9		C - 15	90461-11099	F - 5
5ET-27421-00	E - 12	5HD-83951-00	F - 6	90105-09002	B - 2	90185-16002	D - 8	90240-08120	E - 12	90462-16001	F - 3
1C3-27491-50	E - 9	5TJ-83976-01	F - 6	90105-09004	B - 2	90185-20002	E - 8	90240-10004	E - 12	90464-13073	F - 7
5TA-2814F-00	D - 5	5TJ-83976-11	F - 6	90105-10072	D - 4	90201-057H5	F - 3	90267-32146	B - 12	90464-13077	F - 7
5ET-28166-10	D - 5	5LP-84126-10	F - 6	90105-10733	D - 4	90201-06057	F - 5	90280-03006	B - 4	90464-15195	F - 7
5TJ-2831V-80	D - 12	5BF-84310-01	F - 4	90109-06034	F - 6	90201-06557	D - 6	90338-18176	D - 5	90464-23041	C - 5
3FV-28386-00	B - 13	8G9-84314-00	F - 4	90109-063F8	D - 2	90201-06571	B - 9	90340-12112	B - 2		F - 7
5UM-81410-20	E - 15	5TJ-84319-C0	F - 4	90109-065G4	E - 9	90201-08008	C - 6	90340-14128	C - 8	90464-25267	B - 3
5UM-81450-00	E - 15	5BF-84330-01	F - 4	90109-066F0	B - 3	90201-08043	D - 4	90340-27002	C - 8	90464-29223	F - 7
5UM-81528-00	C - 9	5BF-84334-00	F - 4	90109-08051	E - 12	90201-08044	E - 12	90387-06009	D - 6	90465-10013	C - 7
5UM-81801-10	F - 2	5BF-84335-00	F - 4	90109-08078	E - 8	90201-08048	C - 10	90387-06065	B - 9	90465-13152	E - 2
5TJ-81828-01	F - 2	55U-84337-00	F - 4	90110-06228	B - 11		E - 8	90387-06090	D - 6		F - 7
5UM-81828-10	F - 2	5BF-8433E-00	F - 4	90110-08051	C - 10	90201-080H1	C - 12	90387-06104	D - 12	90465-13275	F - 7
5UM-8183G-00	F - 2	5BF-84397-00	F - 4	90111-06059	E - 14	90201-08410	C - 3	90387-065L5	F - 5	90467-07138	C - 5
5UM-81861-00	F - 2	5TJ-84710-00	F - 5	90116-06541	B - 2	90201-08512	B - 8	90387-06M24	E - 12	90467-09006	C - 5
5UM-81890-10	F - 2	36Y-84714-40	F - 5	90119-06001	D - 5	90201-086P8	E - 12	90387-0814J	C - 6		D - 7
5TJ-81940-12	F - 7	4GY-84723-00	F - 5	90119-06051	D - 7	90201-096J9	B - 2	90387-086N4	D - 4	90467-100A1	E - 2
8DM-81950-00	F - 8	4GY-84733-00	F - 5	90119-06096	D - 6	90201-10032	E - 12	90387-1003G	E - 12	90467-11106	B - 3
5TJ-81952-80	F - 8	5UM-85540-B0	F - 7	90119-06192	D - 6	90201-10118	E - 11	90387-124F4	D - 3	90467-14015	B - 2
5TJ-81953-00	B - 13	5UM-85540-C0	F - 7	90119-06225	D - 6		E - 14	90387-14006	D - 9	90467-15054	C - 5
5TJ-81960-80	F - 7	5TJ-85546-00	F - 7	90119-08086	D - 7	90201-104R2	C - 11	90387-16010	D - 8	90467-15197	C - 5
4WA-81980-00	F - 7	5TA-85885-00	C - 3	90149-05162	F - 6	90201-12020	E - 15	90387-18004	D - 8	90467-17089	B - 13
5TJ-81980-00	F - 7	5NY-W0041-00	E - 11	90149-06011	E - 2	90201-12027	D - 12	90387-18007	C - 7	90468-08104	B - 3
5UM-82100-09	F - 7	5UN-W0042-50	E - 14	90149-06126	C - 7	90201-12166	B - 10	90387-18011	D - 8		C - 5
5TJ-82115-00	F - 7	5MV-W0045-01	E - 6	90149-06250	B - 4	90201-12790	B - 2	90387-20006	C - 14	90468-16001	E - 12
5UM-82116-00	F - 7	1C3-W0046-B0	E - 9	90149-06326	C - 7	90201-145M4	D - 4	90387-22001	C - 14	90480-01512	D - 6
5SL-82119-10	F - 8	3JD-W0047-00	E - 6	90149-06327	E - 6	90201-14740	D - 9	90401-08006	B - 11	90480-14012	F - 3
8CY-82131-00	F - 7	5UN-W0047-50	E - 9	90151-04001	D - 8	90201-15701	C - 8	90401-10015	B - 11	90480-14102	F - 5
42X-82151-00	F - 7	1UY-W0048-50	E - 6	90152-06010	C - 10	90201-16018	D - 8	90401-10172	E - 11	90480-14532	D - 6
5UL-82310-10	F - 7		E - 9	90154-05026	F - 7	90201-162H4	C - 10		E - 14	90480-15528	B - 9
5TJ-82510-80	F - 8	5UN-W0057-00	E - 6	90159-06021	D - 7	90201-167P7	C - 10	90430-06014	B - 2	90480-18549	E - 2
5TJ-82514-80	F - 8	5UN-W0057-50	E - 9	90159-06092	C - 12	90201-177G4	C - 10		B - 8	90501-043E0	B - 11
5TJ-82540-01	F - 7	5XE-W2587-10	E - 11	90170-14171	B - 4	90201-20020	E - 8	90430-08119	B - 11	90501-052G5	D - 3
5TJ-82590-C0	F - 7	90101-05033	F - 6	90170-16326	C - 12	90201-20021	C - 11		D - 4	90501-06022	D - 2
5TJ-82911-80	F - 6	90101-06001	C - 10	90170-24003	D - 12	90201-203L1	C - 11	90430-10188	B - 11	90501-147A5	C - 10
5XD-82913-00	F - 6	90101-06041	D - 3	90179-06028	D - 8	90201-20685	C - 10		C - 7	90501-16016	C - 10
5TJ-82917-01	F - 6	90101-08006	E - 8	90179-08656	E - 8	90201-21014	D - 8	90445-09100	E - 2	90501-220A0	C - 12
5XD-82946-00	F - 6	90105-05016	D - 12	90179-08674	D - 4	90201-24016	D - 12	90445-09220	E - 2	90506-16007	E - 12
5TJ-83500-B0	F - 3	90105-06027	B - 2	90179-10658	D - 4	90201-286K9	D - 12	90445-11185	E - 2	90506-30002	E - 12
5TJ-83500-C0	F - 3	90105-06064	D - 7	90179-12657	E - 15	90202-05193	E - 2	90445-112K0	B - 3	90508-12018	C - 13
5TJ-83500-D0	F - 3		F - 4	90179-16003	E - 5	90202-08045	B - 14	90450-20078	C - 5	90508-26561	D - 2

NUMERICAL INDEX

PART NO.	GRID NO.	PART NO.	GRID NO.	PART NO.	GRID NO.	PART NO.	GRID NO.	PART NO.	GRID NO.	PART NO.	GRID NO.
90508-28015	E - 12	93109-25001	D - 8	93440-07182	B - 8	95022-10016	C - 7	97707-40016	B - 12		
90508-28018	E - 12	93109-28043	D - 8		C - 12	95022-10020	E - 12	97707-50516	B - 13		
90508-291A8	D - 3	93210-07003	B - 11	93440-10153	B - 2	95024-06010	D - 8	97707-60016	D - 6		
90508-30743	C - 10	93210-07135	B - 11		B - 10		E - 6	97780-40010	F - 5		
91312-06012	B - 9	93210-08001	D - 5	93440-41178	B - 7	95024-06016	E - 9	98502-04010	C - 4		
91312-06025	B - 10	93210-09008	B - 11	93503-08007	B - 11	95024-06020	D - 12	98502-04012	B - 14		
	B - 11	93210-10197	B - 10	93507-32009	C - 10	95024-06030	E - 9	98502-06025	C - 7		
	F - 2		C - 7	93511-32027	C - 12	95024-06050	D - 8	98504-05010	E - 14		
91312-06045	C - 7	93210-11073	E - 12	93603-16219	B - 10	95024-08012	D - 5	98507-03008	E - 2		
91312-06055	C - 7	93210-12759	B - 11	93604-10011	B - 8	95024-08035	D - 12	98507-05020	E - 10		
91312-06065	B - 11	93210-14369	C - 8	93608-33002	D - 3	95024-08040	D - 12	98706-04012	E - 11		
91312-06070	C - 7	93210-15414	B - 9	93612-16254	B - 3		D - 14	98707-06025	E - 2		
91312-06100	C - 7	93210-16716	C - 8		C - 7	95024-08065	D - 4	98907-06025	E - 2		
91312-06110	C - 8	93210-17570	C - 10	9383B-13218	C - 14	95027-06008	F - 8	98980-06008	C - 6		
91312-08020	C - 6	93210-19123	C - 8	9383B-14222	C - 14	95027-06010	C - 5	99001-08600	B - 10		
91314-05008	C - 6	93210-196A4	C - 14	94108-21015	E - 5	95027-06012	B - 11	99009-12400	B - 10		
91316-04012	B - 14	93210-21276	F - 7	94109-21009	E - 5		D - 5	99009-16400	C - 10		
91317-05012	C - 9	93210-25711	F - 2	94110-18009	E - 7		F - 3	99009-17400	C - 10		
91317-05020	E - 15	93210-27370	C - 8	94113-18015	E - 7	95027-06016	E - 2	99009-22500	C - 8		
91317-06014	E - 15	93210-47675	B - 11	94211-18176	E - 7	95027-06020	B - 13	99009-45500	E - 7		
91317-06025	C - 11	93210-60426	C - 8	94213-18012	E - 7		D - 3	99530-08012	B - 10		
91317-06030	B - 10	93300-60839	D - 4	94227-21101	E - 5	95027-06025	B - 9		C - 11		
91402-20012	E - 12	93306-00105	B - 8	94309-18146	E - 7	95027-08012	F - 4	99530-08016	C - 8		
91402-25015	E - 12	93306-00317	C - 14	94309-21161	E - 5	95027-08040	D - 4	99530-10114	B - 10		
91808-16023	B - 2	93306-00320	C - 14	94416-21005	E - 5	95602-12200	D - 12		C - 7		
91812-16001	C - 8	93306-07202	E - 7	94418-18006	E - 7	95607-05100	F - 6	99530-10116	C - 7		
91A11-05125	D - 7	93306-20335	B - 4	94421-18005	E - 7	95607-10200	D - 11	9Y58A-76113	E - 8		
91A20-05140	D - 7	93306-20447	C - 14	94591-53114	B - 7	95612-08620	B - 2				
92012-05008	F - 3	93306-20648	B - 4	94681-76021	E - 8	95701-06500	E - 11				
92014-05008	C - 6	93306-27208	C - 14	94701-00410	B - 2	95702-06500	B - 3				
92014-05012	F - 6	93306-27212	E - 7	94701-00411	B - 2		D - 15				
92017-08055	D - 4	93306-90409	E - 5	95022-06010	B - 2	95702-08500	B - 2				
92902-04100	C - 4	93306-90501	D - 2		C - 13	95704-06500	F - 7				
92907-06600	B - 7	93310-42057	C - 11		F - 3	95707-05500	F - 3				
92990-10200	E - 12	93310-63238	B - 4	95022-06012	B - 8	95707-06500	F - 5				
93101-14164	C - 8	93311-32261	B - 4		C - 5	95707-08500	D - 4				
93102-12106	B - 8	93315-32166	D - 8		E - 9	95807-06016	E - 13				
93102-12224	C - 12	93317-11287	C - 12	95022-06016	C - 8	95814-08016	D - 5				
	D - 3	93317-22262	D - 8	95022-06020	C - 5	95817-10050	D - 4				
93102-18278	C - 10	93332-00068	D - 12	95022-06025	B - 7	95822-06010	B - 9				
93102-26468	E - 5	93332-00081	D - 12		B - 8	95824-06016	D - 7				
93102-28010	C - 14	93340-21008	C - 12		B - 10	95827-06014	B - 3				
93105-47007	F - 3	93342-22217	D - 8		C - 8	95827-06016	B - 13				
93106-22002	D - 8	93410-20038	C - 10	95022-06030	C - 8	95827-08012	D - 4				
93106-30001	E - 7	93410-22039	C - 14	95022-06035	B - 3	97027-06016	B - 7				
93106-30045	E - 7	93410-26067	C - 14		C - 8	97702-40010	F - 3				
93109-11073	B - 8	93420-16086	B - 4	95022-06040	C - 8	97706-40530	F - 5				
93109-21001	D - 9	93440-07149	B - 2	95022-06065	B - 8	97707-30512	B - 13				